

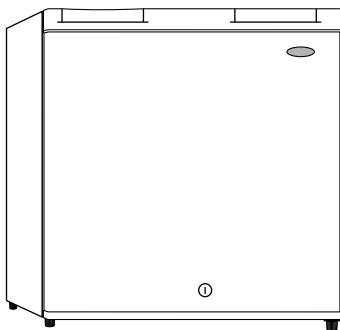
SPT[®]

FREEZER

OPERATING INSTRUCTIONS

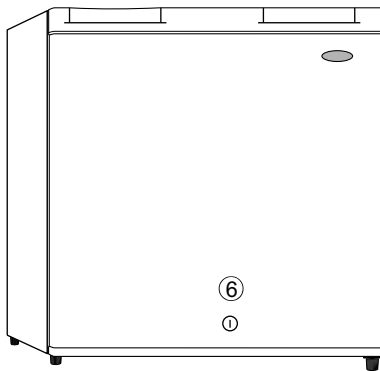
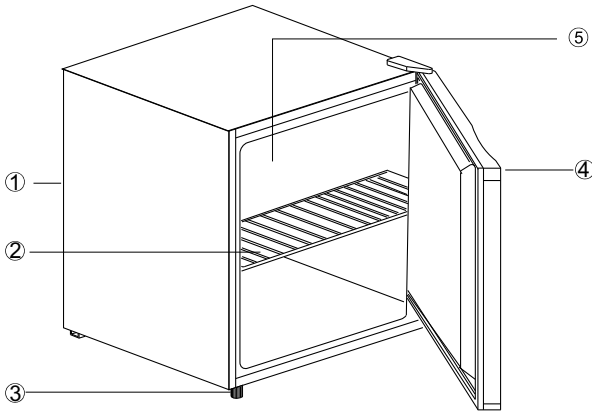
Please read this manual carefully before using the refrigerator

Model: UF-160W/UF-160S



NAME OF PARTS	1
CORRECTLY POSITIONING	1,2
USING YOUR REFRIGERATOR	2
CAUTIONS	3
REVERSING THE DOOR	3,4
MAINTENANCE	5
TROUBLE SHOOTING	5,6
TECHNICAL SPECIFICATIONS	7

1.Name of parts



- ① Thermostat
- ② Remoable Shelf
- ③ Adjustable Legs
- ④ Door
- ⑤ Evaporator
- ⑥ Lock & Key

2.Correctly positioning

Well Ventilating

There is need of good ventilation around the refrigerator for easy dissipation of heat, high efficiency of refrigeration and low power consumption. For this purpose, sufficient clear space should be needed around the refrigerator, its back is at least 100mm away from the wall, its sides at least have a space of 200mm separately and the height from over its top is not less than 300mm. A clear space should be left to open its doors to 160° .

Power Supply

The refrigerator is only applied with power supply of single phase alternating current (SEE RATING LABEL). If fluctuation of voltage in the district user is of so large that the

voltage exceeds the above scope, for safety sake, be sure to apply A.C. automatic voltage regulator to the refrigerator. The refrigerator must employ a special power socket instead of common one other electric appliances. Its plug must match the socket with ground wire.

Power Line Cord

The cord should be neither lengthened nor folded into coil during operation. Moreover, it is forbidden that cord is kept close onto the compressor at the back of the refrigerator, the surface temperature of which is quite high when operating. Touching with it would deactivate the insulation or cause leakage for electricity.

Protection from Moisture

Avoid locating the appliance in moist areas. Too much moisture may cause the metal part to rust. Do not spray water to the appliance, this will cause electric shock.

Protection from Heat

Keep freezer away from direct sunlight and sources of heat (stove, heater, radiator, etc.)

Direct sunlight may affect the acrylic coating and heat sources will increase electrical consumption.

Level Placement

Place unit on sturdy ground, it must be strong enough to support the freezer when fully loaded. Do not place the unit on any soft material such as foam or plastic. Do not place anything that can echo near the unit. To level the freezer, adjust the front legs accordingly.

Keep Away from Danger

Keep freezer away from any combustibles such as gas, petrol, alcohol and etc. These objects should also not be stored in the freezer.

Moving

When fixed or moved, the unit cannot be set upside-down, horizontally or declined to more than 45° .

3.USING YOUR REFRIGERATOR

Temperature Control

During initial operation, set the control to position "5".

After 20 minutes, adjust the control to position "3", which is recommended for normal operation.

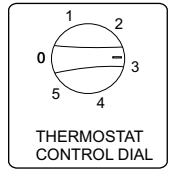
To turn off the unit, set control to position "0".

Temperature control range from position "1" (warmest) to position "5" (coldest).

NOTE:

Turning the temperature control to "0" stops the cooling cycle, but does not shut off the power.

If the unit is unplugged, turned off or power lost, you please wait 3 to 5 minutes before restarting the unit. If you attempt to restart before this time delay, unit will not start.



Unit should be placed in the coolest area of the room to help decrease energy consumption. If ambient temperature is too high, temperature within the unit may not reach set temperature.

4. Cautions

- ❖ When door is opened frequently, moisture in the air will form frost on the interior panels. The frost will weaken the unit's performance when too thick. Defrost when it's 0.1 or thicker.
- ❖ Defrosting is operated manually.
- ❖ Unplug the unit. Remove all food contents and place in a cool area.
- ❖ Set temperature control to position "0" and leave door open until ice and frost dissolve completely.
- ❖ To speed up process, place a bowl of warm water (about 122 F) inside.
- ❖ Set temperature control back to original setting when finished.
- ❖ Do not use boiling water as it may damage the plastics. Do not use sharp or metallic instruments to remove food or frost, this may damage the evaporator.
- ❖ If power cord is damaged, it must be replaced for the manufacture.
- ❖ Before throwing away old unit, remove door and leave shelves in place to keep children from climbing in.
- ❖ Never allow children to operate, play with or crawl inside the unit.

5. Reversing the door

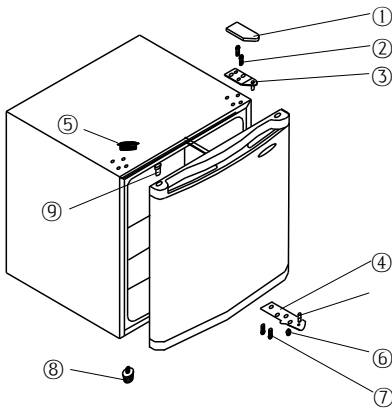
This refrigerator has the capability of either opening the door from the left or right side. Unit is delivered to you with door opening from the left. To reverse the opening direction, please follow these instructions.

NOTE:

All parts removed must be saved to do the reinstallation of the door.

- ❖ Remove the upper hinge cap (1).

- ❖ Using a sharp object, pry out the plug buttons(5).
- ❖ Remove the two Phillips screws(2) that connect the upper hinge(3) on the right.
- ❖ Lift the door and place it on a padded surface to prevent from scratching.
- ❖ Remove the plug(9) and transfer it to the uncovered hole at the right side, press down firmly.
- ❖ Remove the two bolts(7) that hold the hinge on the lower right.
- ❖ Remove the screw-type leveling front leg(8) and transfer it to the right side as shown.
- ❖ Set the door into it's new place. Make sure the pin enters the bushing.
- ❖ Secure the upper hinge(3) to the left side.
- ❖ Make sure the pin enters the bushing.
- ❖ Loosely secure the lower left hinge(4) , do not tighten the bolts until the door is in the closed position and leveled. Insert the plug buttons(5) on the uncovered holes(right side).
- ❖ Replace the upper hinge cap(1).



- ① Door Hinge Cap
- ② Door hinge Screws
- ③ Upper Door Hinge
- ④ Lower Door Hinge
- ⑤ Plug
- ⑥ Short Leg
- ⑦ Door Hinge Bolts
- ⑧ Leveling Front Leg
- ⑨ Hinge Plug(Door Frame)

6. Maintenance

- ❖ Unit should be cleaned and maintained once a month.
- ❖ Before cleaning, turn the temperature control to "0" and unplug the unit.
- ❖ Wipe inner and outer surface with a damp cloth. If very dirty, gently clean with a neutral detergent and wipe off with clean cloth.
- ❖ Do not use hot water and harsh chemicals.
- ❖ Do not spray water directly to the unit.
- ❖ Keep the door gaskets clean.
- ❖ Plastic parts may easily crack or smell when remain contaminated by oil for a period of time—please clean on a regular basis.

7. Troubleshooting

1. When unit does not work
 - Power failure.
 - Unit not plugged in
 - Blown fuse
2. When unit is cooling excessively
 - Temperature set too low
 - Food containing a lot of moisture is placed directly under the cool air outlets, not a malfunction.
3. When unit is not cooling sufficiently
 - Food packed too tightly together, interfering with cold air circulation.
 - Something warm/hot placed in unit.
 - Door not closed properly.
 - Door gaskets damaged.
 - Poor ventilated.
 - Insufficient clearance between the unit and the walls.
 - Temperature control not set properly.
4. While defrosting, water overflows onto the floor.
 - Check if drain pipe or the drain hose is clogged, clean if necessary.
 - Check if drain pan is housed properly.
5. Cabinet front panel heats up.
 - In order to safeguard against condensation, there is an anticondensation pipe, which heats up the front panel when operating.
6. Condensation form on the outside
 - Condensation will form on the outside of the unit if it's operated in a humid or moist area. Simply wipe off.

7. Sound of water flowing.

That is the sound of refrigerant flowing. Not a malfunction.

8. Cabinet's side panel heats up

This results from dissipation of heat from inside the cabinet, not a defect.

9. In winter, freezer does not operate.

When room temperature is below 50F, compressor will operate for a short time and stop.

8. Technical specifications

Model	UF-160W//UF-160S
Rated Voltage (V)	115
Rated Frequency (Hz)	60
Energy Class	B
Capacity (L)	45
Weight (lbs)	48
Demonsion (h/w/d)	19. 7×19. 8×19. 3 (in)
Temperature	-0. 4F
Star Rating	4 Star
Sound Decibel Rating	38 (dB [A])
Refrigerant	R134a



Your Guarantee

If this product is found to be faulty as a result of faulty materials or workmanship within one year from date of purchase, it will be repaired free of charge.

This guarantee is subject to the following terms:

- Sunpentown must be notified of the fault.
- Proof of purchase must be presented to Sunpentown's nominated representative.
- The warranty will be void if the product is modified, misused or repaired by an unauthorized person.
- The warranty after repair will not be extended beyond the original one-year period.
- All replacement parts will be new or reconditioned.
- Parts, which are replaced, become the property of Sunpentown.
- The warranty applies for the use of the product in the USA only.

What is NOT COVERED:

- Warranty does not include freight charges.
- Incidental or consequential damage caused by possible defects with this product.
- Damage to product caused by improper power supply voltage, accident, fire, floods or acts of nature.
- Failure of product resulting from unauthorized modifications to the product.
- Improper installation or failure to perform the necessary maintenance.

This GUARANTEE is in addition to your Statutory Rights

SUNPENTOWN INTERNATIONAL INC.
21415 Baker Parkway, City of Industry, CA 91789-5236
909-468-5288 Fax:909-468-5279
service@sunpentown.com
www.sunpentown.com