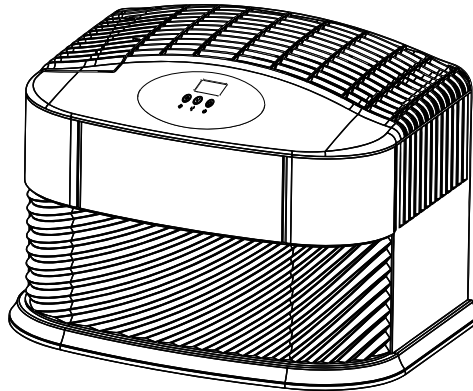


**READ AND SAVE THESE INSTRUCTIONS**



**MULTI-ROOM,  
Console Style  
Evaporative Humidifier**

# OWNER'S CARE & USE MANUAL



**MODEL:**

**ED11 SERIES**

ED11 800 – Variable Speed  
ED11 910 – Variable Speed

- Digital Control
- Automatic Humidistat
- Automatic Shutoff
- Quiet Setting for Nighttime use
- Easy to clean, removable power pack

*French and Spanish  
Instructions included.*

*Se incluyen instrucciones  
En Español y Francés.*

*Directives en Français et en  
espagnol compris*



*This product uses  
Air Filter #1051 and  
Wick #1041.*

**SAVE THE ENVIRONMENT  
RECYCLE APPROPRIATE MATERIALS**

## General Safety Instructions

### READ BEFORE USING YOUR HUMIDIFIER

**DANGER:** means if the safety information is not followed someone will be seriously injured or killed.

**WARNING:** means if the safety information is not followed someone could be seriously injured or killed.

**CAUTION:** means if the safety information is not followed someone may be injured.

1. To reduce the risk of fire or shock hazard, this humidifier has a polarized plug (one blade is wider than the other.) Plug humidifier directly into a 120V, A.C. electrical outlet. Do not use extension cords. If the plug does not fully fit into the outlet, reverse plug. If it still does not fit, contact a qualified electrician to install the proper outlet. Do not change the plug in any way.
2. Keep the electric cord out of traffic areas. To reduce the risk of fire hazard, never put the electric cord under rugs, near heat registers, radiators, stoves or heaters.
3. Always unplug the unit before moving, cleaning or removing the fan assembly section from the humidifier, or whenever it is not in service.
4. Keep the humidifier clean.
5. Do not put foreign objects inside the humidifier.
6. Do not allow unit to be used as a toy. Close attention is necessary when used by or near children.
7. Never use your humidifier while any part is missing or damaged in any manner.
8. To reduce the risk of electrical hazard or damage to humidifier, do not tilt, jolt or tip humidifier while unit is running.
9. To reduce the risk of damage to humidifier, unplug when not in use.
10. To reduce the risk of accidental electrical shock, do not touch the cord or controls with wet hands.
11. To reduce the risk of fire, do not use near an open flame such as a candle or other flame source.
12. Note the warning label shown below.

**WARNING: To reduce risk of fire, electric shock, or injury always unplug before servicing or cleaning.**

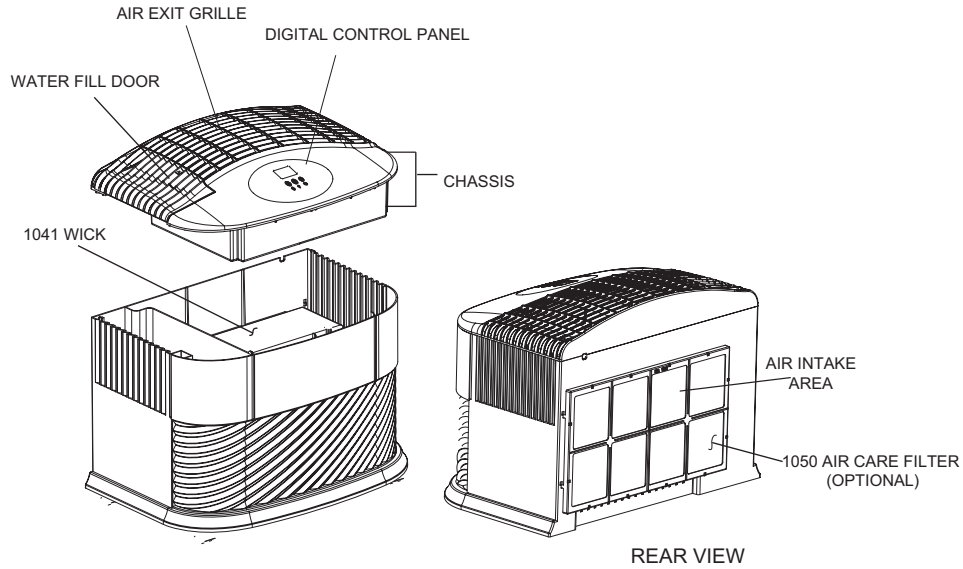
### INTRODUCTION

Your Essick Air evaporative humidifier adds invisible moisture to your home by moving dry inlet air through a saturated wick. As air moves through the wick, the water evaporates into the air, leaving behind any white dust, minerals, or dissolved and suspended solids. Because the water is evaporated, there is just clean and invisible moist air.

As the evaporative wick traps accumulated minerals from the water, its ability to absorb and evaporate water decreases. We recommend changing the wick at the beginning of every season. In hard water areas, more frequent replacement may be necessary to maintain your humidifier's efficiency.

Use only Essick Air brand replacement wicks and chemicals. To order parts, wicks and chemicals call 1-800-547-3888. The ED11 Series humidifiers use Essick Air wick # 1041. Only the Essick Air evaporative wick guarantees the certified output of your humidifier. Use of wicks other than Essick Air brand will void your warranty as well as the certification of output and may reduce the output of your humidifier.

## KNOW YOUR HUMIDIFIER



Description	ED11 Series
*Output per 24 hrs	11 gallons
Capacity of Reservoir	2.5 Gallons
Sq. ft. coverage	2,300
Fan Speeds	Variable
Replacement Wick	SuperWick 1041
Air Purifying Filter (Optional)	1051
Auto Humidistat	Yes
Controls	Digital
ETL Listed	Yes
Volts	120
Hertz	60
Watts	160

\* Based on an area with average insulation and an 8' ceiling height.

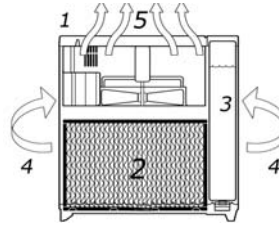
Accessories Available For Purchase	
Description	Part Number
Humidifier Wick	1041
Air Purifying Filter (Optional)	1051

Accessories may be ordered by calling 1-800-547-3888.  
Please have model and serial number of humidifier available when calling.

## HOW YOUR HUMIDIFIER WORKS

Dry air is drawn into the humidifier through the back and moisturized as it passes through the evaporative wick. It is then fanned out into the room.

1. Chassis/Power Pack (motor and fan assembly)
2. Evaporative wick
3. Water reservoir
4. Dry room air intake
5. Moist air output



**CAUTION: Do NOT position the unit directly in front of a hot air duct or radiator. Do NOT place on soft carpet.**

## ASSEMBLY, CONTROLS & OPERATION

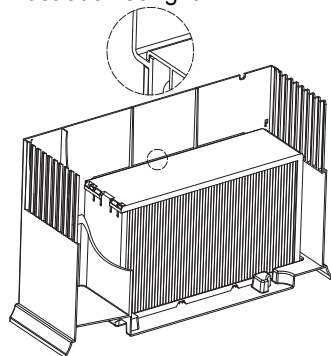
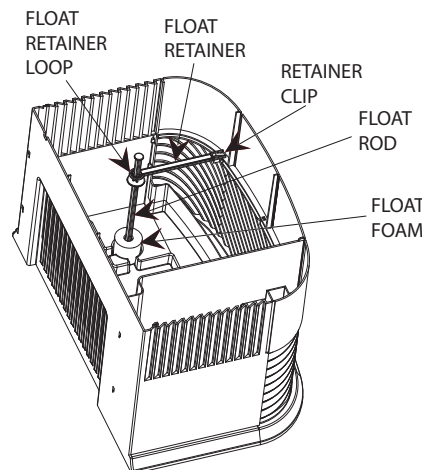
- 1) Remove the two polyfoam inserts from the top of the humidifier.
- 2) Lift off the chassis/power pack and then remove the humidifier tank/cabinet from the carton.
- 3) Remove any wrapping from the evaporative wick and all of the remaining packaging materials from the cabinet. Check to see that you have all of the following items removed from the boxes accessory kit and cabinet before discarding the packaging:
  - Caster kit
  - Float (Styrofoam)/Float rod
  - Retainer (key for float rod)

### CASTERS

- 4) Turn the emptied cabinet upside down. Insert each caster stem into the four caster holes on each corner of the humidifier bottom. The casters should fit snugly and be inserted until the stem shoulder reaches the cabinet surface. Turn the cabinet right side up.

### FLOAT AND WICK INSTALLATION

- 5) Before installing the wick, install the float rod by placing the white Styrofoam portion into the recess in the bottom of the cabinet. Then place the float retainer loop over the float rod spindle. Slide the clip end of the retainer onto the extension molded into the plastic ledge until it locks into place. See illustration at right.



- 6) Install the 1041 wick into the unit with the mounting rib on the top edge that hooks over a rib at the back inside of the cabinet. See inset on illustration at left.

### CHASSIS/POWER PACK

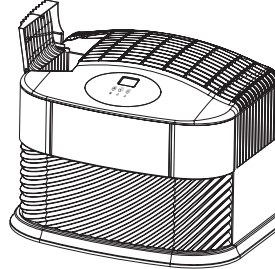
7) Place the chassis/power pack unit into the cabinet, so it fits without tipping or rocking, ensuring the float rod fits in the pocket of the chassis.

**CAUTION: Disconnect power before filling, cleaning or servicing unit. Keep grille dry at all times.**

**NOTE: Chassis must be in place before filling.**

### IMPORTANT FILLING INFORMATION

- 8) The water fill compartment door is located on the left side of the unit. The latch is released by pressing on the fill door. It will pop open.
- 9) Fill by carefully pouring cool tap water or bottled distilled water from a pitcher/container or using a fill hose attached to a faucet. Do not use warm water as this might cause damage and leaking to the unit.
- 10) When the tank is filled for the first time and the wick is still dry, it will take approximately 30 minutes for the wick to absorb the water from the reservoir. After this initial saturation, the tank should be refilled again to obtain maximum running time.
- 11) If you only have softened water available in your home, you can use it, but you will notice a buildup of minerals on the wick much sooner. The tank holds 2.5 gallons. When filling, be careful not to overfill.



### AIR CLEANING FILTER (OPTIONAL)

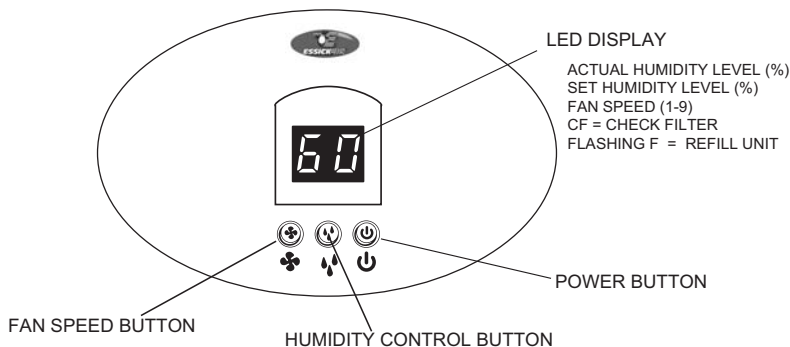
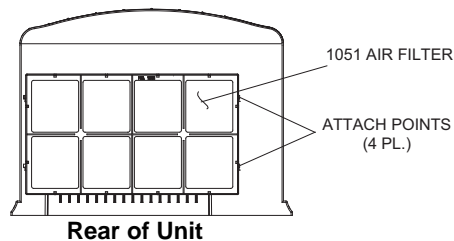
12) The AirCare filter has four tangs that engage into four keyhole slots that mount the AirCare® filter onto the outside of the back of the cabinet.

**NOTE:** We recommend using Essick Air Bacteriostat treatment part # 1970 when you refill the tank to eliminate bacterial growth. Add bacteriostat according to the instructions on the bottle.

**NOTE:** Overfilling will result in water damage.

### OPERATION

The digital controller has a display that provides information on the status of the unit. Depending on which function is being accessed, it displays relative humidity, fan speed, set humidity and indicates when the unit is out of water.



**Note:** Place the unit at least FOUR inches away from any walls. Unrestricted airflow into the unit will result in the best efficiency and performance.

1. Plug cord into wall receptacle. Your humidifier is now ready for use.

### **FAN SPEED**

2. Press the power button and select fan speed: F1 through F9 proceeding from low to high speed.

**NOTE:** When excessive condensation exists, a lower speed setting is recommended.

### **HUMIDITY CONTROL**

**NOTE:** Both models have an automatic humidistat that cycles the humidifier on and off as required to maintain the selected setting.

3. At initial startup the relative humidity of the room will be displayed.
4. Each successive push of the Humidity Control Button will increase the setting in 5% increments. At 65% set point, the unit will operate continuously.
5. The control will display a flashing "F" when the water reservoir is empty. When the unit is completely out of water, the motor will shut off.
6. This humidifier has a check filter reminder timed to appear after 720 hours of operation. When the Check Filter (CF) message is displayed, disconnect the power cord and check the condition of the filter. The CF function is reset after plugging the unit back in.

### **OPTIONAL AIRCARE® FILTER**

The first stage of the air filter is a high-efficiency, electrostatically-charged filter media which traps dust, pollen, and airborne pollutants. The second stage is an activated carbon media which absorbs odors from cooking, pets, or tobacco smoke. We recommend replacing the AirCare® filter at least once a year and more often if necessary. When the white filter media is coated with a layer of dust and dirt, it is time to replace the AirCare® filter. The certified water output of your humidifier will be reduced when using the AirCare® filter. AirCare® filters are optional and are not required for normal operation of the humidifier. *AirCare® is registered trademark of Essick Air Products.*

## CARE AND MAINTENANCE

**Cleaning your humidifier regularly helps eliminate odors and bacterial and fungal growth.** Ordinary household bleach is a good disinfectant and can be used to wipe out the humidifier base and reservoir after cleaning.

We recommend cleaning your humidifier at least once every two weeks to maintain optimum environmental conditions for your home.

**We also recommend using Essick Air Bacteriostat Treatment each time you refill your humidifier to eliminate bacterial growth.** Add bacteriostat according to the instructions on the bottle. Please call 1-800-547-3888 to order Bacteriostat Treatment reference part#1970.

- 1) Turn off unit completely and unplug from outlet.
- 2) Lift out the chassis.
- 3) Take reservoir to cleaning basin. Lift wick from the reservoir allowing the water to drain. Rinse the wick under fresh water only. Do not use soap, detergent, or any other cleaners on the wick. Leave in sink to drain.

### REMOVING SCALE

- 4) Empty the water from the reservoir. Fill reservoir  $\frac{1}{2}$  full with water and add 8 oz. (1 cup) of white vinegar. Let stand 20 minutes. Then empty solution.
- 5) Dampen a soft cloth with white vinegar and wipe out reservoir to remove scale. Rinse the reservoir thoroughly with fresh water to remove scale and cleaning solution before disinfecting.

### DISINFECTING UNIT

- 6) Fill the reservoir  $\frac{1}{2}$  full with water and add 1 teaspoon of bleach. Wet all surfaces on cabinet, then let solution stay for 20 minutes then rinse with water until bleach smell is gone. Dry with clean cloth. The outside of the unit may be wiped down with a soft cloth dampened with fresh water.
- 7) Refill unit and re-assemble per **ASSEMBLY** instructions.

### SUMMER STORAGE

- 1) Clean unit as outlined in Care & Maintenance section.
- 2) Discard used wick and any water in the reservoir and allow unit to dry thoroughly before storage. **Do not** store with water inside reservoir.
- 3) Do not store unit in an attic or other high-temperature area.
- 4) Install new filter at beginning of season.

## ESSICK AIR PRODUCTS HUMIDIFIER WARRANTY POLICY

EFFECTIVE APRIL 1, 2008  
SALES RECEIPT REQUIRED AS PROOF OF PURCHASE  
FOR ALL WARRANTY CLAIMS.

This product is warranted against defects in workmanship and materials for one year from the date of sale except for motors, which are warranted for two years. This warranty does not apply to filters or wicks which are customer replaceable parts. This warranty applies only to the original purchaser of the product when it is purchased from a reputable retailer/dealer.

This warranty does not apply to damage from accident, misuse, alterations, unauthorized repairs, unauthorized use, mishandling, unreasonable use, abuse, including failure to perform reasonable maintenance, normal wear and tear, nor where the connected voltage is more than 5% above the nameplate voltage, nor to the equipment or products being improperly installed or wired or maintained in violation of this Owner's Manual.

Alterations include the substitution of name brand components including, but not limited to wicks and bacteria treatment.

THIS PRODUCT IS NOT INTENDED FOR COMMERCIAL USE. THIS IS THE SOLE AND EXCLUSIVE WARRANTY GIVEN BY MANUFACTURER WITH RESPECT TO THE PRODUCTS AND, TO THE MAXIMUM EXTENT PERMITTED BY LAW, IS IN LIEU OF AND EXCLUDES ALL OTHER WARRANTIES AND CONDITIONS, EXPRESS OR IMPLIED, ARISING BY OPERATION OF LAW OR OTHERWISE, INCLUDING WITHOUT LIMITATION, MERCHANTABILITY AND/OR FITNESS FOR A PARTICULAR PURPOSE.

No employee, agent, dealer or other person is authorized to give any warranties or conditions on behalf of the manufacturer. The customer shall be responsible for all costs incurred in the removal or reinstallation and shipping of the product for repairs.

**Within the limitations of this warranty, purchaser with inoperative units should contact customer service @ 800-547-3888 for paperwork and instructions on the return of the unit for repair.** A copy of the sales receipt is required before authorization to return a unit for repair is approved. The manufacturer will repair or replace the product, at its discretion, with return freight paid by the manufacturer. It is agreed that such repair or replacement is the exclusive remedy available from the manufacturer and that TO THE MAXIMUM EXTENT PERMITTED BY LAW, THE MANUFACTURER IS NOT RESPONSIBLE FOR DAMAGES OF ANY KIND, INCLUDING INCIDENTAL AND CONSEQUENTIAL DAMAGE OR LOSS OF PROFITS OR REVENUES.

**This warranty will be null & void if purchaser attempts to repair or replace any parts which are mechanical or electrical.**

The warranty gives the customer specific legal rights, and the customer may also have other rights which vary from province to province, or state to state.

**LISEZ ET GARDEZ CES INSTRUCTIONS**



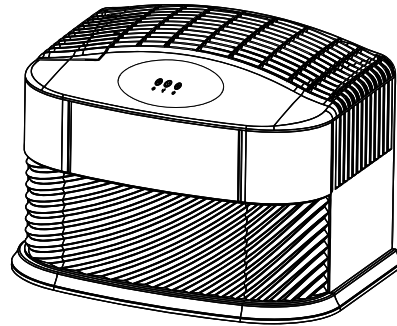
**Humidificateur Console à  
Evaporation  
MULTI-PIÈCES**

# GUIDES D'UTILISATION & D'ENTRETIEN DU PROPRIÉTAIRE

## MODELE:

ED11 800 – Vitesse variable  
ED11 910 – Vitesse variable

- Contrôle numérique
- Humidistat automatique
- Arrêt automatique
- Réglage silencieux pour utilisation nocturne
- Facile à nettoyer, bloc d'alimentation démontable



Série ED11

*French and Spanish  
Instructions included.*

*Se incluyen instrucciones  
En Español y Francés.*

*Directives en Français et en  
espagnol compris*

*Ce produit utilise les filtres  
à air réf. 1051 et filtres à  
mèche réf. 1041.*

**SAVE THE ENVIRONMENT  
RECYCLE APPROPRIATE MATERIALS**

To order parts and accessories call **1-800-547-3888**

## *Instructions Générales De Sécurité*

### À LIRE AVANT D'UTILISER VOTRE HUMIDIFICATEUR

**DANGER:** Signifie que si les informations de sécurité ne sont pas suivies, des blessures graves ou fatales s'ensuivront.

**AVERTISSEMENT:** Signifie que si les informations de sécurité ne sont pas suivies, des blessures graves ou fatales pourraient survenir.

**ATTENTION:** Signifie que si les informations de sécurité ne sont pas suivies, des blessures pourraient survenir.

1. Afin de réduire le risque d'électrocution, cet humidificateur a une prise à deux têtes (l'une des fiches est plus large que l'autre). Brancher directement l'humidificateur dans une prise de courant alternatif 120 V. Ne pas utiliser de rallonges électriques. Si la prise ne rentre pas, la brancher en sens inverse. Si cela ne rentre toujours pas, contacter un électricien pour installer la prise murale adéquate. Ne pas modifier la prise.
2. Éloignez le cordon électrique d'une zone de passage. Pour diminuer le risque d'incendie, ne mettez jamais le cordon électrique sous un tapis, à proximité d'une bouche d'air, d'un radiateur, d'un four ou d'un appareil de chauffage.
3. Toujours débrancher l'humidificateur avant de le déplacer. Enlever le système de ventilation avant de nettoyer ou de faire réparer l'humidificateur.
4. L'humidificateur doit toujours rester propre.
5. N'introduisez pas de corps étrangers dans l'humidificateur.
6. Cet appareil n'est pas un jouet. Une surveillance est nécessaire si cet appareil est utilisé par ou près d'un enfant.
7. Ne vous servez en aucun cas de votre humidificateur en cas de pièce manquante ou endommagée.
8. Pour réduire le risque d'électrocution ou d'endommagement de l'humidificateur, ne l'inclinez pas, ne le secouez pas et ne le faites pas basculer tant qu'il est en marche.
9. Pour réduire les risques d'endommagement, débranchez l'humidificateur lorsque vous ne vous en servez pas.
10. Pour réduire le risque de choc électrique accidentel, ne touchez pas le cordon ou les commandes avec les mains mouillées.
11. Pour réduire le risque d'incendie, ne l'utilisez pas près d'une flamme, comme une bougie ou autre source de flamme.
12. Observez l'étiquette en dessous.

**AVERTISSEMENT :** Pour diminuer le risque d'incendie, de choc électrique ou de blessure, débranchez toujours l'appareil avant l'entretien ou le nettoyage.

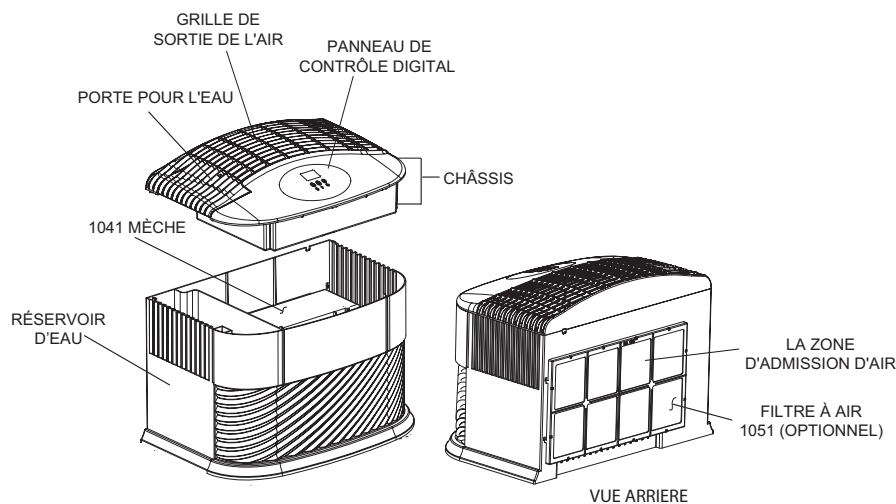
### **INTRODUCTION**

L'humidificateur évaporateur d'Essick Air ajoute une humidité invisible dans la maison en faisant passer de l'air sec à travers un filtre à mèche saturé d'eau. Au fur et à mesure que l'air passe au travers du filtre à mèche, l'eau s'évapore dans l'air en laissant derrière toutes poussières blanches, minéraux et solides dissous ou en suspension. Étant donné que de l'eau est évaporée, il n'y a que de l'air humidifié, propre et invisible.

Au fur et à mesure que la mèche d'évaporation emprisonne et accumule les minéraux contenus dans l'eau, sa capacité d'absorption et d'évaporation d'eau diminue. Nous recommandons de changer le filtre à mèche au début de chaque saison d'humidification. Dans les régions où l'eau est dure, un remplacement plus fréquent peut être nécessaire afin de maintenir l'efficacité de votre humidificateur.

N'utilisez que les produits chimiques et les filtres à mèche de marque Essick Air en remplacement. Afin de placer une commande de pièces, de filtres à mèche ou de produits chimiques, composez le 1-800-547-3888. Les filtres à mèche de numéro 1041 de Essick Air conviennent à tous les humidificateurs de la série ED11. Seuls les filtres à mèche d'évaporation d'Essick Air garantissent le rendement certifié à la sortie de votre humidificateur. L'utilisation de filtres à mèche autres que la marque Essick Air annule la garantie, la certification de la valeur à la sortie et peut réduire la sortie de votre humidificateur.

### FAMILIARISEZ-VOUS AVEC VOTRE HUMIDIFICATEUR



Description	ED11
*Débit par 24h	41,6 L
Capacité totale	9,4 L
*Portée en m <sup>2</sup>	102,2
Vitesses du ventilateur	variable
Mèche de rechange	1041
Filtre à air (optionnel)	1051
Humidostat automatique	Oui
Commandes	Électroniques
ETL mentionnés	Oui
Volts	120
Hertz	60
Watts	160

\*Basée sur un espace à isolation moyenne et une hauteur de plafond de 2,50m.

Pièces détachées disponibles à l'achat	
Description	N° de pièce
Mèche de rechange	1041
Filtre à air (optionnel)	1051

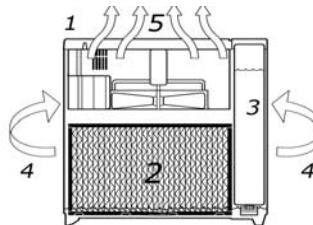
Vous pouvez commander les pièces détachées et accessoires au 1-800-547-3888.

**Veillez avoir le numéro de série de l'humidificateur lors de votre appel.**

## FONCTIONNEMENT DE L'HUMIDIFICATEUR

L'air sec est tiré à l'intérieur de l'humidificateur en passant par l'arrière. Il est humidifié au fur et à mesure qu'il passe à travers du filtre à mèche d'évaporation. Il est ensuite poussé à l'extérieur dans la pièce.

- 1) Châssis/Bloc d'alimentation (assemblage moteur et ventilateur)
- 2) Filtre à mèche d'évaporation
- 3) Réservoir d'eau
- 4) Entrée de l'air sec
- 5) Sortie de l'air humidifié



**MISE EN GARDE : Ne placez PAS l'humidificateur directement devant une bouche d'air chaud ou d'un radiateur. Ne le placez pas sur de la moquette ou des tapis mous.**

## ASSEMBLAGE, RÉGLAGE ET FONCTIONNEMENT

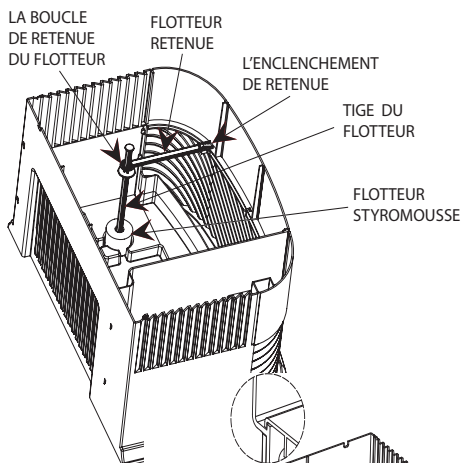
- 1) Retirez les deux pièces d'emballage en pol mousse qui se trouvent sur le dessus de l'humidificateur.
- 2) Soulevez le châssis/bloc d'alimentation puis retirez le boîtier de l'humidificateur de la boîte d'emballage.
- 3) Enlevez tout l'emballage de la mèche évaporatrice. Sortez le filtre à mèche d'évaporation et tout le matériel restant de la boîte. Vérifiez, afin de vous assurer, que tous les articles suivants ont été retirés de la trousse d'accessoires et du boîtier se trouvant dans le carton, avant de jeter l'emballage :
  - Nécessaires de roulettes • Flotteur (Styromousse)/Tige à flotteur
  - Dispositif de rétention (clé pour tige à flotteur)

### LES ROULETTES

- 4) Retournez le boîtier de l'humidificateur vide à l'envers. Insérez-y chaque pied à roulette dans les quatre orifices situés aux quatre coins de la base de l'humidificateur. Les roulettes doivent bien aller et être insérées jusqu'à ce que l'épaulement du pied atteigne la surface du boîtier. Tournez le boîtier vers la droite.

### INSTALLATION DU FLOTTEUR ET DE LA MÈCHE

- 5) Avant d'installer la mèche, installez la tige du flotteur en plaçant la partie Styrofoam blanche dans la saignée au bas du boîtier. Placez ensuite la boucle de retenue du flotteur sur la tige du flotteur. Faites glisser l'extrémité du dispositif de retenue sur la rallonge moulée dans le rebord en plastique jusqu'à l'enclenchement. Voir l'illustration à droite.

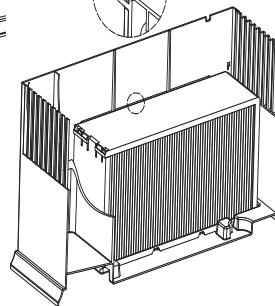


- 6) Installez la mèche 1041 dans l'unité avec la nervure de montage sur le bord supérieur s'accrochant à une nervure arrière à l'intérieur du boîtier. Voir l'illustration à droite.

**NOTA:** Vous devez placer le flotteur blanc dans la pochette au fond du boîtier. Une fois mis en place, la tige coulisse dans le trou aligné au bas du châssis.

### CHÂSSIS/BLOC D'ALIMENTATION

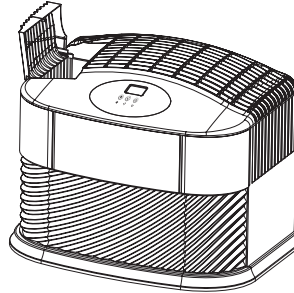
- 7) Placez le châssis/bloc d'alimentation dans le boîtier, pour qu'il aille sans incliner ni balancer, en vous assurant que la tige du flotteur aille dans la pochette du châssis.



**NOTA: MISE EN GARDE : Débranchez l'appareil avant le remplissage, le nettoyage et l'entretien. Maintenez toujours la grille sèche.**

**RENSEIGNEMENTS IMPORTANTS SUR LE REMPLISSAGE**

- 8) La porte du compartiment d'eau est sur la gauche de l'unité. Pressez la porte pour libérer le verrou. La porte sautera ouvert.
- 9) Remplissez en utilisant un pichet/récipient rempli de votre évier avec de l'eau froide du robinet, ou de l'eau bouillie distillée ou utiliser un tuyau attaché à un robinet. N'utilisez pas d'eau chaude car elle pourrait causer des dommages et des fuites à l'unité.
- 10) Au premier remplissage du récipient d'eau, la mèche est sèche ; cela prend environ 30 minutes pour que la mèche absorbe l'eau du réservoir. Après cette saturation initiale, le réservoir devra être à nouveau rempli jusqu'à pour obtenir un temps de fonctionnement maximum.
- 11) Si vous n'avez que de l'eau adoucie de disponible chez vous, vous pouvez l'utiliser mais l'accumulation de minéraux sur le filtre à mèche d'évaporation se formera plus rapidement. Le réservoir peut contenir 9,5 litres (2,5 gallons). En remplissant, faites attention à ne pas faire déborder le réservoir.

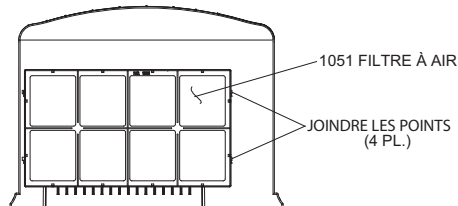


**FILTRE À AIR (OPTIONNEL)**

- 12) Le filtre AirCare comprend quatre languettes qui s'engagent dans quatre fentes en forme de trou de serrure afin de monter le filtre AirCare sur la paroi extérieure de l'arrière du boîtier.

**NOTA:** Nous recommandons l'utilisation du traitement part # 1970 contre les bactéries Essick à chaque remplissage du récipient d'eau afin d'éliminer la croissance des bactéries. Ajoutez le bactériostat selon les directives inscrites sur le récipient puis serrez.

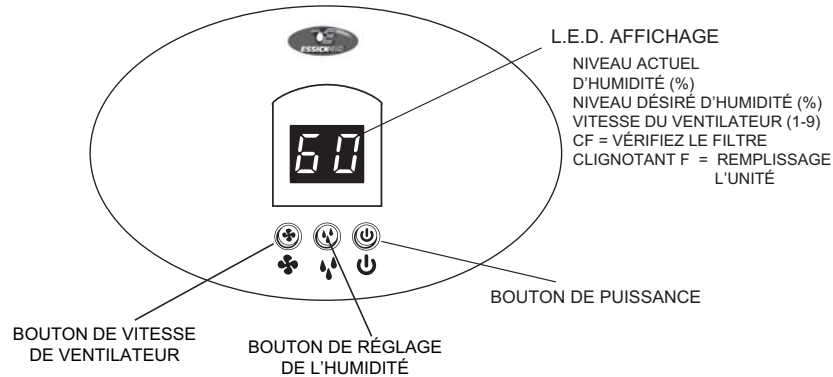
**NOTA:** Un débordement résultera en dommage d'eau.



**VUE ARRIERE**

## FONCTIONNEMENT

La commande numérique affiche des renseignements sur l'état de l'appareil. Il peut montrer l'humidité relative, vitesse de ventilateur, humidité choisie et indique quand l'unité est hors de l'eau.



**NOTE:** L'humidificateur doit être placé à au moins DIX centimètres (4 po) de tout mur et loin de toute bouche d'air chaud. Un débit d'air libre qui entre dans l'appareil assure une meilleure efficacité de rendement.

- 1) Branchez le cordon d'alimentation sur la prise murale. Votre humidificateur est maintenant prêt à être utilisé.

### VITESSE DE VENTILATEUR

- 2) Appuyez sur la touche de mise en marche et sélectionnez la vitesse du ventilateur (F1 à F9 ; procéder à partir d'à vitesse réduite à la grande vitesse).

**NOTA :** En cas de condensation importante, un réglage sur une moindre vitesse est recommandé.

### CONTRÔLE DE L'HUMIDITÉ

**NOTA:** Les deux modèles sont équipés d'un hydrostat automatique qui déclenche ou éteint l'humidificateur selon les besoins pour maintenir le taux d'humidité choisi.

- 3) Au premier démarrage, le taux d'humidité relative de la chambre sera affiché.
- 4) Le réglage augmentera de 5 % chaque fois que vous appuierez sur la touche de réglage du taux d'humidité. À partir d'une valeur de réglage de 65 %, l'appareil fonctionnera sans arrêt. La lettre F clignotante indiquera que le réservoir est vide.
- 5) Lors de chaque bouteille vide, la commande numérique affiche un clignotant "F." Lorsque l'appareil est complètement vide, le moteur s'éteint.
- 6) Cet humidificateur a un système de rappel de vérification de filtre temporisé pour apparaître après 720 heures de fonctionnement. Quand le message de Vérification de Filtre (CF) est affiché, débranchez le cordon d'alimentation et vérifiez l'état du filtre. Le message CF est remis à zéro lorsque l'humidificateur est rebranché.

**MISE EN GARDE :** Débranchez l'appareil avant le remplissage, le nettoyage et l'entretien. Maintenez toujours la grille sèche.

## **FILTRE AIRCARE® OPTIONNEL**

La première étape du filtre à air est un média filtrant électrostatiquement chargé à haut rendement qui capte les poussières, le pollen et les particules dans l'air. La deuxième étape est un média au charbon actif qui absorbe les odeurs provenant de la cuisson, des animaux domestiques et de la fumée du tabac. Nous recommandons de remplacer le filtre AirCare® au moins une fois par an et plus souvent si nécessaire. Lorsque le médium blanc est couvert d'une pellicule de poussières ou de saleté, il est temps de remplacer le filtre AirCare®. La sortie d'eau certifiée de l'humidificateur est réduite lors de l'utilisation du filtre AirCare®. Les filtres AirCare® sont optionnels et ne sont pas requis pour le fonctionnement normal de l'humidificateur. *AirCare® est une marque déposée d'Essick Air Products.*

## **SOINS ET ENTRETIEN**

**Le fait de nettoyer régulièrement votre humidificateur aide à éliminer les odeurs et la croissance de bactérie et de fungus.** Normalement, l'eau de javel est un bon désinfectant et peut être utilisée dans le plateau et les réservoirs d'eau après nettoyage.

Nous recommandons de nettoyer l'humidificateur au moins une fois toutes les deux semaines afin d'obtenir de votre humidificateur des conditions optimales pour l'environnement.

**Nous recommandons, également, l'utilisation du traitement Bacteriostat Essick Air à chaque remplissage du récipient d'eau afin d'éliminer la croissance éventuelle des bactéries.** Ajoutez le bactériostat selon les directives inscrites sur le récipient d'eau. Veuillez composer le 1-800-547-3888 afin de passer commande du traitement Bacteriostat portant la référence numéro 1970.

- 1) Éteignez l'appareil complètement et débranchez-le.
- 2) Soulevez le bloc d'alimentation.
- 3) Transportez la reservoir vers un évier. Soulevez le filtre à mèche en laissant l'eau s'écouler. Rincez le filtre à mèche sous de l'eau fraîche uniquement. N'utilisez pas de savon, de détergent ni d'autres nettoyeurs sur le filtre à mèche. Laissez-le s'égoutter dans l'évier.

## **DÉTARTRAGE**

- 4) Videz l'eau du réservoir. Remplissez le réservoir à moitié avec de l'eau et rajoutez 1 tasse de vinaigre blanc. Laissez agir pendant 20 minutes. Videz la solution.
- 5) Mouillez un chiffon doux avec du vinaigre blanc et essuyez le récipient pour enlever les dépôts. Rincez abondamment le réservoir avec de l'eau fraîche pour enlever les dépôts et la solution nettoyante avant de désinfecter.

## **DÉSINFECTION DE L'APPAREIL**

- 6) Remplissez de moitié le réservoir avec de l'eau et rajoutez 1c. d'eau de javel dans chacun des deux. Mouillez toutes les surfaces du boîtier, ensuite laissez agir la solution pendant 20 minutes puis rincez avec de l'eau jusqu'à ce que l'odeur de javel soit partie. Séchez avec un chiffon doux. Vous pouvez essuyer les parois extérieures de l'appareil à l'aide d'un chiffon doux mouillé avec de l'eau fraîche.
- 7) Remplissez l'appareil et remontez-le selon les directives de l'**ASSEMBLAGE**.

## **ENTREPOSAGE L'ÉTÉ**

- 1) Nettoyez l'appareil tel qu'indiqué dans le chapitre portant sur les « Soins et l'entretien ».
- 2) Jetez le filtre à mèche usé et toute l'eau qui serait restée dans le réservoir. Laissez le boîtier sécher complètement avant de le ranger. **N'entreposez pas** l'appareil avec de l'eau dans le récipient.
- 3) N'entreposez pas l'appareil dans un grenier ou dans un endroit où la température est élevée.
- 4) Installez un nouveau filtre à mèche avant le début de la saison.

**ESSICK AIR PRODUCTS**  
**POLITIQUE DE GARANTIE D'HUMIDIFICATEUR**  
**ENTREE EN VIGUEUR LE 1 ER AVRIL 2008:**  
**REÇU DE VENTES EXIGÉ COMME PREUVE D'ACHAT POUR TOUTES**  
**LES REVENDECTIONS DE GARANTIE.**

Ce produit est garanti contre les défauts de matériel ou de fabrication pendant un an à compter de la date de la vente, sauf pour les moteurs, qui sont garantis deux ans. Cette garantie ne s'applique pas aux filtres ou aux mèches qui sont des pièces remplaçables par le client.

Cette garantie s'applique uniquement à l'acheteur original du produit lorsqu'il est acheté auprès d'une détaillant/distributeur reconnu.

Cette garantie ne s'applique pas aux dommages causés par un accident, à une mauvaise utilisation, à des modifications, des réparations non autorisées, une utilisation non autorisée, une mauvaise manipulation, une utilisation peu raisonnable, abusive, notamment l'absence de maintenance raisonnable, à l'usure normale, ni où il y a une tension connectée de plus de 5% au-dessus de la tension indiquée sur la plaque, ni à l'équipement ou produits étant mal installés ou câblés ou entretenus en violation du présent Manuel Propriétaire.

Les changements incluent la substitution de composants de marque y compris, mais non limité au traitement de bactéries et mèches.

CE PRODUIT N'EST PAS DESTINÉ À UNE UTILISATION COMMERCIALE. C'EST LA SEULE ET UNIQUE GARANTIE FOURNIE PAR LE FABRICANT EN CE QUI CONCERNE LES PRODUITS ET, DANS LA MESURE MAXIMALE PERMISE CONFORMÉMENT À LA LOI, ET EST EN LIEU ET PLACE ET EXCLUT TOUTES LES AUTRES GARANTIES ET CONDITIONS, EXPRESS OU IMPLIQUÉES, DÉCOULANT DE L'EFFET DE LA LOI OU AUTREMENT. Y COMPRIS SANS LIMITATION, LA VALEUR COMMERCIALE ET/OU L'ADÉQUATION À UN USAGE PARTICULIER.

Aucun employé, agent, distributeur ou toute autre personne n'est autorisé à donner n'importe quelles garanties ou conditions de la part du fabricant. Le client est responsable de tous les coûts occasionnés par l'enlèvement ou la réinstallation et l'expédition du produit pour réparations.

**Dans le cadre des limites de cette garantie, l'acheteur avec des unités inopérantes devra entrer en contact avec le service après-vente au 800-547-3888 pour toutes formalités et instructions concernant le retour de l'unité pour réparation.** Une copie du reçu de vente est nécessaire avant que l'autorisation de retourner un appareil pour réparation ne soit approuvée. Le fabricant s'engage à réparer ou remplacer le produit, à sa discrétion, avec frais de réexpédition payés par le fabricant. Il est convenu que ce type de réparation ou de remplacement est le seul recours disponible chez le fabricant et que DANS LES LIMITES PRÉVUES PAR LA LOI, LE FABRICANT N'EST PAS RESPONSABLE DE DOMMAGES D'AUCUNE SORTE, Y COMPRIS DES DÉGÂTS FORTUITS ET CONSÉCUTIFS OU PERTES DE PROFITS OU DE REVENUS.

**Cette garantie sera nulle et sans effet si l'acheteur essaye de réparer ou de remplacer des pièces qui sont mécaniques ou électriques.**

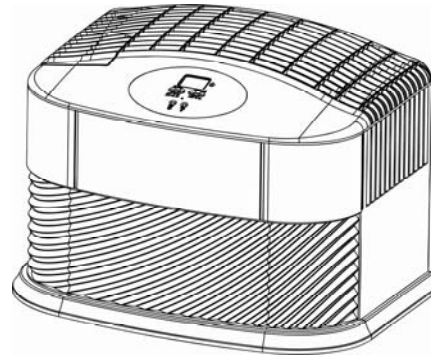
La garantie donne des droits légaux spécifiques aux clients, et le client peut aussi avoir d'autres droits qui varient d'une province à une autre, ou d'un état à un autre.

**LEER Y GUARDAR ESTAS INSTRUCCIONES**



**Humidificador  
vaporizador tipo consola  
para múltiples ambientes**

**MANUAL  
DE CUIDADOS  
Y  
USO DEL  
PROPIETARIO**



**MODELO:**

ED11 800 – Velocidad variable

ED11 910 – Velocidad variable

- Control Digital
- Humidistato Automático
- Apagado automático
- Funcionamiento silencioso para uso nocturno
- Fácil de limpiar, unidad de fuerza removible

Serie ED11

*French and Spanish  
Instructions included.*

*Se incluyen instrucciones  
En Español y Francés.*

*Directives en Français et en  
espagnol compris*



**CUIDE EL MEDIOAMBIENTE  
RECICLE LOS MATERIALES  
APROPIADOS**

Este producto utiliza el  
filtro de aire #1051 y la  
mecha #1041.

Para encomendar piezas y accesorios, llame al  
**1-800-547-3888**

1B71285

05/09

Impreso en los E.E.U.U.

## Instrucciones generales de seguridad

### LEER ANTES DE USAR SU HUMIDIFICADOR

**PELIGRO:** significa que si no se respeta la información de seguridad, alguien puede resultar seriamente herido o muerto.

**ADVERTENCIA:** significa que si no se respeta la información de seguridad, alguien podría resultar seriamente herido o muerto.

**PRECAUCIÓN:** significa que si no se respeta la información de seguridad, alguien puede resultar herido.

1. Para reducir el riesgo de incendio o descarga eléctrica, este humidificador posee un enchufe polarizado (una espiga es más ancha que la otra). Enchufe el humidificador directamente a un tomacorriente eléctrico de 120 V de CA. No utilice extensiones. Si el enchufe no encaja completamente en el tomacorriente, inviértalo. Si aún así no encaja, contacte a un electricista calificado para que instale el tomacorriente adecuado. No cambie el enchufe de ninguna manera..
2. Mantenga el cable fuera de las áreas de tránsito. Para reducir el riesgo de peligro de incendio, nunca coloque el cable debajo de alfombras, cerca de fuentes de calor, radiadores, cocinas o calentadores.
3. Siempre desenchufe el humidificador antes de moverlo, antes de limpiarlo o cada vez que el humidificador no esté funcionando.
4. Mantenga el humidificador limpio.
5. No coloque objetos extraños dentro del humidificador.
6. No permita que la unidad se utilice como un juguete. Se debe prestar atención cuando lo utilizan niños o cuando se lo utiliza cerca de niños
7. Nunca utilice su humidificador cuando le falte una parte o una parte esté dañada en alguna forma.
8. Para reducir el riesgo de peligro eléctrico o daño al humidificador, no lo mueva, sacuda ni incline mientras la unidad esté en funcionamiento.
9. Para reducir el riesgo de daños en el humidificador, desenchúfelo cuando no lo esté utilizando.
10. Para reducir el riesgo de descargas eléctricas accidentales, no toque el cable ni los controles con las manos húmedas.
11. Para reducir el riesgo de incendio, no lo utilice cerca de una fuente de fuego abierta, como una vela u otra fuente.
12. Preste atención a la etiqueta de advertencia que aparece adjunta.

**ADVERTENCIA:** para reducir el riesgo de incendio, descargas eléctricas o lesiones siempre desenchúfelo antes de efectuar reparaciones o de limpiarlo.

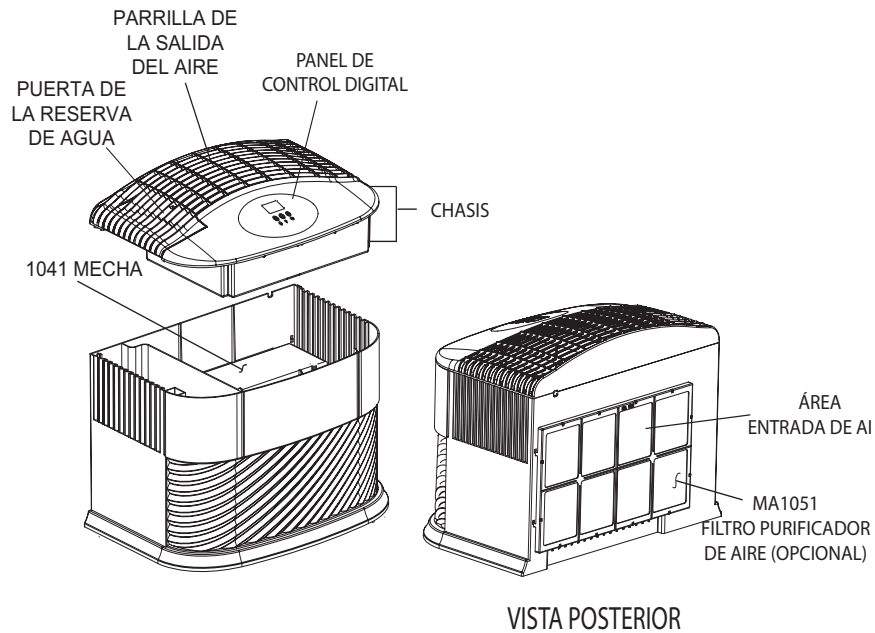
## INTRODUCCIÓN

Su humidificador vaporizador Essick Air agrega una humedad invisible a su hogar moviendo el aire seco que entra a través de un filtro/mecha saturado. A medida que el aire pasa a través del filtro/mecha, el agua se evapora en el aire, dejando atrás cualquier polvo blanco, minerales o sólidos disueltos y suspendidos. Como el agua se evapora, queda solamente aire húmedo limpio e invisible.

A medida que el filtro/mecha atrapa los minerales acumulados del agua, su capacidad de absorber y evaporar el agua se reduce. Recomendamos cambiar el filtro/mecha al comienzo de cada temporada. En áreas con agua dura, pueden ser necesarios cambios más frecuentes para mantener la eficiencia del humidificador.

Usar solamente repuestos para filtros/mecha y productos químicos marca Essick Air. Para encomendar repuestos, filtros/mecha y productos químicos, llamar al 1-800-547-3888. Los humidificadores de la serie ED11 usan mechas Essick Air N° 1041. Sólo la mecha evaporadora Essick Air garantiza el rendimiento certificado de su humidificador. El uso de filtros/mecha que no sean marca Essick Air invalidará su garantía, así como la certificación del rendimiento y puede reducir el rendimiento de su humidificador.

## CONOCE SU HUMIDIFICADOR



Descripción	ED11
Rendimiento de galones durante 24 horas	11 galones
Capacidad de la humidificador	2.5 galones
Cobertura en pies cuadrados	1100
Velocidades del ventilador	variable
Meche de reemplazo	1041
Filtre à air MA1050 optionnel	1051
Humidistato automático	Si
Controles	Electrónico
Registrado por ETL	Si
Voltios	120
Hertz	60
Watts	160

Basado en una superficie con aislamiento promedio y una altura de cielo raso de 8 pies

Piezas De Repuesto Disponibles Para Compra	
Descripción	Nº. de Parte
Mecha del humidificador	1041
Filtro purificador de aire (opcional)	1051

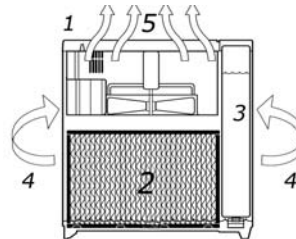
Para encomendar piezas y accesorios, llame al 1-800-547-3888.

Si decide llamar por teléfono, tenga disponible el modelo y el número de serie del humidificador.

#### FUNCIONAMIENTO DE SU HUMIDIFICADOR

El aire seco entra al humidificador por la parte trasera y se humidifica a medida que pasa por el filtro/mecha evaporador. Después se expulsa al ambiente por medio del ventilador.

- 1) Chasis/ Unidad de Fuerza (motor y ventilador)
- 2) Filtro/mecha evaporador
- 3) Depósito de agua
- 4) Entrada del aire ambiental seco
- 5) Salida del aire húmedo



**PRECAUCIÓN: NO dejar la unidad directamente en frente a tuberías de aire caliente o radiadores. NO ubicarlo sobre moquetas blandas.**

#### ENSAMBLAJE, MANDOS Y OPERACIÓN

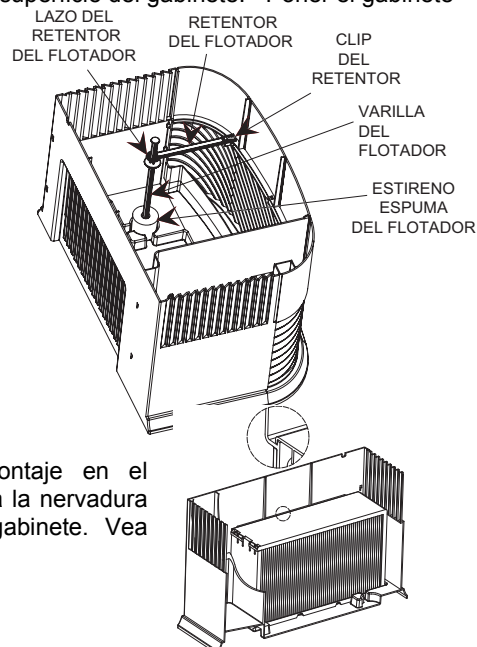
- 1) Retirar los dos insertos de poliespuma de la parte superior del humidificador.
- 2) Levantar y sacar el chasis/unidad de fuerza y después sacar el tanque/gabinete del humidificador de la caja.
- 3) Retire todo tipo de envoltura del filtro/mecha . Sacar el filtro/mecha evaporadora y todos los demás materiales de embalaje del gabinete. Cerciorarse de haber sacado todas las partes siguientes del kit de accesorios de las cajas y el gabinete antes de deshacerse de los embalajes:
  - Kit de ruedas • Flotador (espuma de estireno)/Varilla del flotador
  - Retentor (llave de la varilla del flotador)

#### RUEDAS

- 4) Poner el gabinete vacío de cabeza para abajo. Insertar cada uno de los ejes de las ruedas en los cuatro agujeros de las ruedas en cada ángulo del fondo del humidificador. Las ruedas deben encajar bien justas y se deben insertar hasta que el tope del eje llegue a la superficie del gabinete. Poner el gabinete en pie.

#### INSTALACIÓN DEL FLOTADOR Y DEL FILTRO/MECHA

- 5) Antes de instalar el filtro/mecha, instale la varilla del flotador colocando la parte de espuma de estireno de color blanco en el entrante que está en la parte inferior del gabinete. Luego coloque el retentor del flotador sobre la varilla del flotador. Deslice el extremo del retentor sobre la extensión que está moldeada sobre el borde plástico hasta que trabaje en su lugar.
- 6) Instale el filtro/mecha 1041 en la unidad con la nervadura de montaje en el extremo superior que golpea contra la nervadura en la parte trasera interna del gabinete. Vea ilustración en el derecho.



### CHASIS/UNIDAD DE FUERZA

- 7) Colocar el chasis/unidad de fuerza dentro del gabinete, de forma que encaje sin inclinarse o sacudirse, garantizando que la varilla del flotador entre en el encaje del chasis.

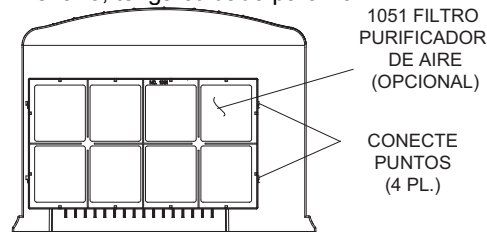
**PRECAUCIÓN:** Desenchufar la unidad antes de llenarla, limpiarla o efectuar reparaciones en ella. Siempre mantener la rejilla seca.

### INFORMACIONES IMPORTANTES PARA EL LLENADO

- 8) El agua llena puerta de compartimiento es situada en el lado izquierdo de la unidad. Abra la puerta siguiendo adelante lo. Pinchará abierto.
- 9) Llenar usando el recipiente que se ha llenado en su pileta con agua fría fuera de grifo o agua destilada embotellada o usando una manguera conectado a un grifo. No use agua caliente porque esto puede causarle daños a la unidad y pérdidas.
- 10) Cuando se llene el tanque por primera vez y el filtro/mecha todavía esté seco, llevará cerca de 30 minutos para que el filtro/mecha absorba el agua del depósito. Después de la saturación inicial, el tanque debe volverse a llenar para obtenerse el tiempo máximo de funcionamiento.
- 11) Si sólo tiene agua blanda en su casa, puede usarla, pero notará una acumulación más rápida de minerales en las mecha vaporizadora. El tanque tiene capacidad para 2.5 galones. Al llenarlo, tenga cuidado para no desbordarlo.

### FILTRO DE AIRE (OPCIONAL)

- 12) El filtro AirCare tiene cuatro lengüetas que se encajan en cuatro ranuras que permiten el montaje del filtro AirCare por afuera de la parte trasera del gabinete.



**VISTA POSTERIOR**

**OBSERVACIÓN:** Recomendamos usar la parte N° 1970 del Tratamiento Antibactericida Essick Air siempre que rellene la botella de agua para eliminar el crecimiento de bacterias. Añadir el bactericida de acuerdo a las instrucciones del embalaje y después apretar.

**OBSERVACIÓN:** El desbordamiento le causará daños al agua.

## **OPERACIÓN**

Dependiendo del modo seleccionado, el panel de control mostrará humedad relativa, velocidad de ventilador, humedad deseada e indica cuándo unidad es fuera de agua.

NOTA: El humidificador debe ubicarse a por lo menos CUATRO pulgadas de las paredes y lejos de fuentes de calor. El flujo de aire irrestricto en la unidad mejora su eficiencia y el desempeño.

- 1) Enchufar el cable al receptáculo de la pared. Su humidificador está pronto para el uso.

## **LA VELOCIDAD DEL VENTILADOR**

- 2) Pulse el botón de encendido y seleccione la velocidad del ventilador: F1 a F9 forma de proceder de baja velocidad a alta velocidad

**OBSERVACIÓN:** Cuando haya *condensación excesiva*, se recomienda usar una velocidad más baja.

## **CONTROL DE LA HUMEDAD**

**OBSERVACIÓN:** Los modelos tienen un humidistato automático. El humidistato prenderá el humidificador cuando la humedad relativa de su hogar sea inferior a la del humidistato y lo apagará cuando la humedad relativa alcance la del humidistato.

- 1) En la instalación inicial se visualizará la humedad relativa del ambiente.
- 2) Cada vez que pulse el botón de control de humedad, se aumentará la configuración en incrementos del 5%. En el punto de ajuste de 65%, la unidad funcionará constantemente. Si el depósito está vacío, se indicará con una "F" parpadeante
- 3) La exhibición del control indicará que Cuándo el depósito es vacío con una "F que destella". Cuando la unidad está totalmente fuera de agua, el motor apagará.
- 4) Este humidificador tiene un recordatorio de verificación del filtro que aparecerá después de las 720 horas de uso. Cuando aparece el mensaje de Verificación de filtro (CF, por sus siglas en inglés), desenchufe el cable y verifique el estado del filtro. El mensaje CF se reiniciará cuando se vuelva a conectar el humidificador.

## **FILTRO OPCIONAL AIRCARE® OPCIONAL**

La primera etapa del filtro de aire es un filtro electrostático de alta eficiencia, que atrapa el polvo, polen y contaminantes del aire. La segunda etapa es un dispositivo de carbón activado que absorbe los olores de la cocina, de animales domésticos o humo de tabaco. Recomendamos cambiar el filtro AirCare® por lo menos una vez por año y más frecuentemente en caso de necesidad. Cuando el filtro blanco esté revestido de una capa de polvo y suciedad, se debe cambiar el filtro AirCare®. La capacidad de salida de agua certificada de su humidificador se reducirá cuando use el filtro AirCare®. Los filtros AirCare® son opcionales y no son necesarios para la operación normal del humidificador. *AirCare® es una marca registrada de Essick Air Products.*

## **CUIDADOS Y MANTENIMIENTO**

**Limpiar su humidificador regularmente ayuda a eliminar olores y el crecimiento de bacterias y hongos.** El blanqueador doméstico común es un buen desinfectante y se puede usar para repasar la base del humidificador y depósito después de limpiarlos.

Recomendamos limpiar su humidificador por lo menos una vez cada dos semanas para mantener las condiciones ambientales ideales en su hogar.

**También recomendamos usar el Tratamiento Bactericida Essick Air cada vez que rellene su humidificador para eliminar el crecimiento bacteriano.**

Añadir el bactericida de acuerdo a las instrucciones del embalaje. Para encomendar el Tratamiento Bactericida, llame al 1-800-547-3888.

- 1) Apague la unidad completamente y desenchúfela del tomacorriente.
- 2) Levante y saque la chasis.
- 3) Lleve la depósito de agua a la piletta de limpieza. Levante la mecha de la r Depósito de agua dejando salir el agua. Enjuagar la mecha solamente con agua limpia. No usar jabón, detergente o cualquier otro producto de limpieza en la mecha. Dejarla escurrir en la piletta.

## **REMOCIÓN DE SARRO**

- 4) Vaciar el agua del depósito. Llenar el depósito hasta la mitad con agua y añadirle 8 Oz. (1 taza) de vinagre blanco. Dejar reposar durante 20 minutos. Después vaciarlo.
- 5) Humedecer un paño suave con vinagre blanco y frotar el depósito para retirar el sarro. Enjuagar el depósito cuidadosamente con agua limpia para remover el sarro y la solución de limpieza antes de desinfectarlo.

## **DESINFECCIÓN DE LA UNIDAD**

- 6) Llenar el depósito con agua hasta la mitad y agregarle una cucharadita de té de blanqueador. Humedecer todas las superficies del gabinete, después dejar descansar la solución durante 20 minutos y enjuagar con agua hasta que desaparezca el olor a blanqueador. Secar con un paño limpio. Se puede repasar la parte de afuera de la unidad con un paño humedecido en agua limpia.
- 7) Rellenar la unidad y reensamblarla de acuerdo a las instrucciones de **ENSAMBLAJE.**

## **ALMACENAMIENTO DURANTE EL VERANO**

- 1) Limpiar la unidad como se describe en la sección Cuidados y Mantenimiento.
- 2) Desechar el filtro/mecha usado y el agua del depósito y dejar secar bien el gabinete antes de guardarlo. **No** guardarlo con agua dentro del depósito.
- 3) No almacenar la unidad en sótanos o áreas con alta temperatura.
- 4) Instalar un nuevo filtro al comienzo de la temporada.

## **GARANTÍA DEL ESSICK AIR HUMIDIFICADOR.**

**EN VIGENCIA AL 1º DE ABRIL DE 2008:**

### **SE REQUIERE EL RECIBO DE VENTA COMO PRUEBA DE LA COMPRA PARA TODOS LOS RECLAMOS DE GARANTÍA.**

Este producto se encuentra garantizado contra defectos en la mano de obra y materiales por un término de un año a partir de la fecha de compra exceptuando los motores, que están garantizados por dos años. Esta garantía no se aplica a filtros o mechas que son piezas que puede reemplazar el cliente.

Esta garantía se aplica sólo al comprador original del producto cuando lo adquiere de un distribuidor/comerciante con buena reputación.

La presente garantía no se aplica a daños como consecuencia de accidentes, mal uso, alteraciones, reparaciones no autorizadas, uso no autorizado, mal manejo, uso no razonable, abuso incluyendo el hecho de no efectuarle un mantenimiento razonable, el desgaste normal, ni tampoco en aquellos casos en que el voltaje de conexión supere el 5% del voltaje mencionado en la marca de fabricación, ni los equipos o productos instalados, conectados o que se mantengan inadecuadamente en incumplimiento de este Manual del Usuario.

Las alteraciones incluyen la sustitución de componentes de la marca incluyendo, entre otros, los filtros y tratamiento de bacterias.

ESTE PRODUCTO NO ESTA DESTINADO A USO COMERCIAL. ESTA ES LA ÚNICA Y EXCLUSIVA GARANTÍA QUE OTORGA EL FABRICANTE RESPECTO DE LOS PRODUCTOS Y, CON EL MAYOR ALCANCE PERMITIDO POR LEY, EXCLUYE Y REEMPLAZA TODA OTRA GARANTÍA Y CONDICIONES, EXPRESAS O IMPLÍCITAS QUE SURJAN DE ALGÚN PROCESO LEGAL O DE OTRO ORIGEN. INCLUYENDO ENTRE OTRAS, LA COMERCIALIZACIÓN Y/O APTITUD PARA UN FIN ESPECÍFICO.

Ningún empleado, agente, representante u otra persona está autorizada a otorgar garantías o condiciones en nombre del fabricante. El cliente será responsable de todos los gastos en los que se incurra como consecuencia de la remoción o reinstalación y envío del producto para su reparación.

**Dentro de las limitaciones de la presente garantía, el comprador que tenga unidades fuera de funcionamiento debe comunicarse con el servicio de atención al cliente al 800-547-3888 para los trámites e instrucciones relacionados con el envío de la unidad para su reparación.**

Se requiere una copia del recibo de venta antes de aprobar la autorización para enviar la unidad a reparación. El fabricante reparará o reemplazará el producto, a su criterio, con gastos de flete a cargo del fabricante. Se acuerda que dicha reparación o reemplazo es la única solución disponible por parte del fabricante y que CON EL MAYOR ALCANCE QUE PERMITE LA LEY, EL FABRICANTE NO ES RESPONSABLE POR DAÑOS DE NINGÚN TIPO INCLUYENDO DAÑOS DIRECTOS E INDIRECTOS O PÉRDIDA DE GANANCIAS O INGRESOS.

**La presente garantía será considerada nula en caso que el comprador intente reparar o reemplazar cualquier pieza mecánica o eléctrica.**

Esta garantía le otorga al comprador derechos legales específicos, el mismo también puede tener otros derechos que varían de una provincia a otra o de un estado a otro.



Essick Air Products  
5800 Murray St  
Little Rock, AR 72209  
1-800-547-3888