



DeLonghi

PAC W130E

WATER/AIR AIR CONDITIONER
Instructions for use
Keep these instructions

CLIMATISEUR EAU-AIR
Mode d'emploi
Conservez cette notice

AR CONDICIONADO ÁGUA/AR
Instrucciones para el uso
*Repase y guarde estas instrucciones
Lea cuidadosamente este instructivo
antes de usar su aparato*

CONDIZIONATORE ACQUA/ARIA
Istruzioni per l'uso
*Leggere e conservare queste
istruzioni*



Register this product on-line and receive a free trial issue of Cook's Illustrated. Visit www.delonghiregistration.com. Visit www.delonghi.com for a list of service centers near you. (U.S. Only)

Enregistrez ce produit en ligne et recevez un numéro gratuit de Cook's Illustrated. Visitez www.delonghiregistration.com. Visitez www.delonghi.com pour y voir une liste des centres de réparation proches de chez vous. (É.-U. uniquement)

Registre este producto en línea y reciba un ejemplar gratis de Cook's Illustrated. Visite www.delonghiregistration.com. Visite www.delonghi.com para ver la lista de centros de servicios cercanos a usted. (Solamente en los Estados Unidos)

Registra questo prodotto "on-line" per ricevere una copia omaggio della rivista. Visita www.delonghiregistration.com. Visita www.delonghi.com per una lista dei centri di servizio a te più vicini. (Solo negli Stati Uniti)

ELECTRICAL SPECIFICATIONS 115V ~ 60Hz

DONNÉES ELECTRIQUES 115V~60Hz

CARACTERISTICAS ELECTRICAS 115V ~ 60Hz

CARATTERISTICHE ELETTRICHE 115V~60Hz

IMPORTANT SAFEGUARDS

- Use this appliance only as described in this instruction manual.
As with any electrical appliance, the instructions aim to cover as many eventualities as possible. Caution and common sense should be used when operating and installing this air conditioner.
- This appliance has been manufactured to cool and dehumidify domestic environments and should not be used for other purposes.
- It is dangerous to alter or modify the unit's characteristics in any way.
- The appliance is not intended for use by persons (including children) with reduced physical, sensory or mental capabilities, or lack of experience and knowledge, unless they have been given supervision or instruction concerning use of the appliance by a person responsible for their safety. Children should be supervised to ensure that they do not play with the appliance.
- Should repairs be necessary, contact the nearest authorized De'Longhi Repair Service Center. Unauthorized Delonghi servicing can be dangerous.
- This appliance is to be used by adults only; keep away from children.
- In the case that the power cord becomes damaged, this must be substituted only by specialized personnel authorized by the manufacturer, to protect against fire.
- Always ensure the appliance is grounded. If you have any doubts check with a qualified electrician.
- We strongly discourage the use of an extension cord due to potential safety hazards. For temporary situations, use only CSA certified and UL listed 3-wire grounded extension cord, attachment plug and connector, rated 15A, 125V.
- Before cleaning or maintenance operations, always unplug the unit from the outlet.
- Do not pull on or place strain on the power cord when moving the appliance.
- The appliance should not be installed where the atmosphere may contain combustible gases, oil or sulphur, or near heat sources.
- Do not rest hot or heavy objects on the appliance.
- Clean the filters at least once a week.
- Avoid using heaters near the unit.
- The unit should be transported in a vertical position. If this is not possible secure the unit at an angle, do not lie it horizontally.
- Before transporting the unit, drain the unit. After transportation, wait at least 4 hours before switching the unit on.
- The packaging materials can be recycled. It is recommended to place them in the special containers for differentiated waste collection.
- This appliance is fitted with a special safety device. When the compressor switches off, this device prevents it from switching on again for at least 3 minutes.
- Remember to descale the appliance at the end of every season and always after 500 hours of operation (see page 17).
In areas with particularly hard water, you are recommended to add special water softener obtainable from authorized service centers to the water.

SAVE THESE INSTRUCTIONS THIS PRODUCT IS FOR HOUSEHOLD ONLY

ELECTRICAL CONNECTIONS

Before plugging the appliance into the electrical socket, check that:

- the power supply corresponds to the value indicated on the rating plate on the back of the appliance.
- the socket and electrical circuit are adequate for the appliance.
- the socket matches the plug. If this is not the case, have the plug replaced.
- the socket is adequately earthed.

Failure to follow these important safety instructions absolves the manufacturer of all liability.

The power cable must be replaced by a qualified professional only

WHAT IS THE WATER-AIR PINGUINO

During the summer, you feel comfortable at a temperature of between 75°F and 81°F (24 and 27° C) with a relative humidity of about 50%.

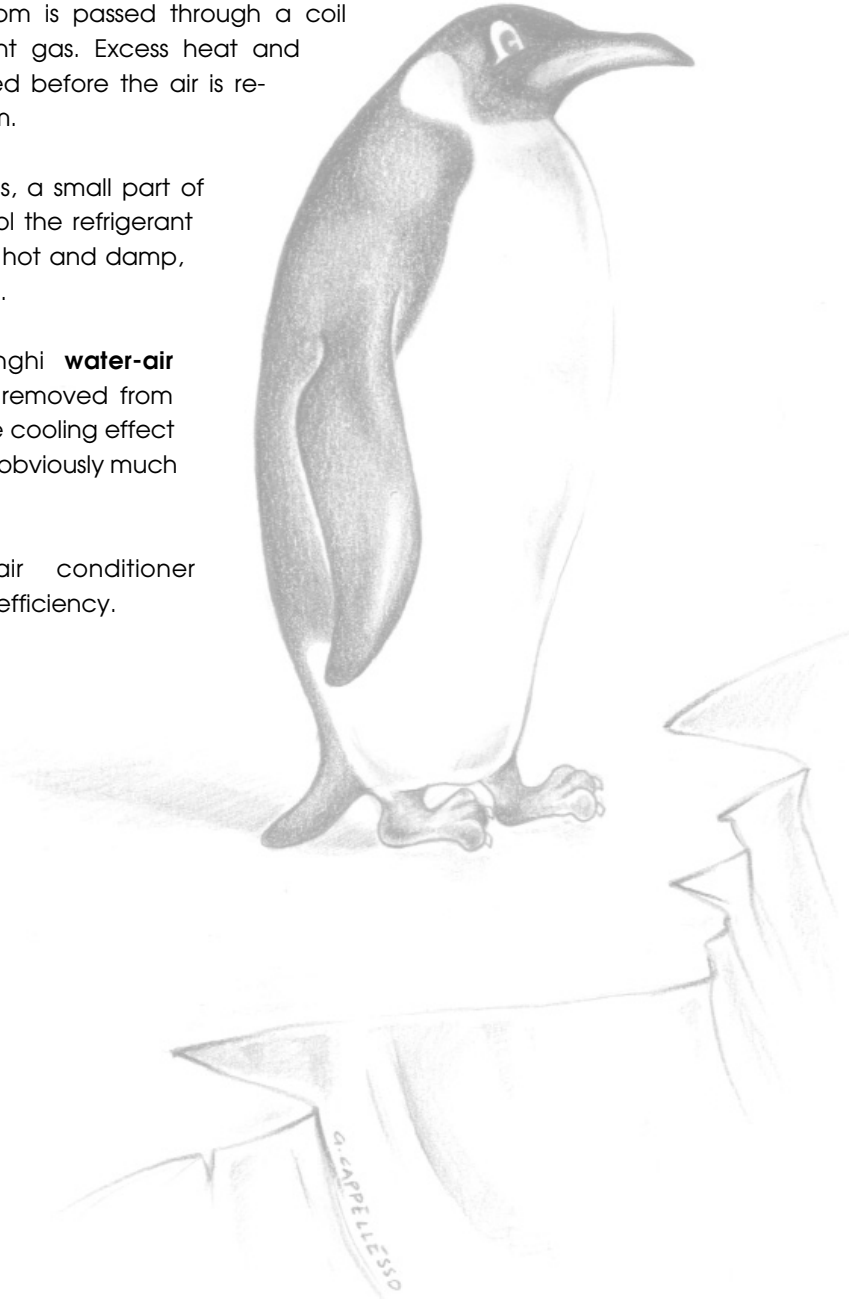
An air conditioner removes excess moisture and heat from the room where it is located. Compared with installed models, portable air conditioners have the advantage that they can be moved from one room to another in the home or be transported from one building to another.

Hot air from the room is passed through a coil cooled by refrigerant gas. Excess heat and moisture are removed before the air is re-emitted into the room.

In single duct models, a small part of this air is used to cool the refrigerant gas and then, when hot and damp, is discharged outside.

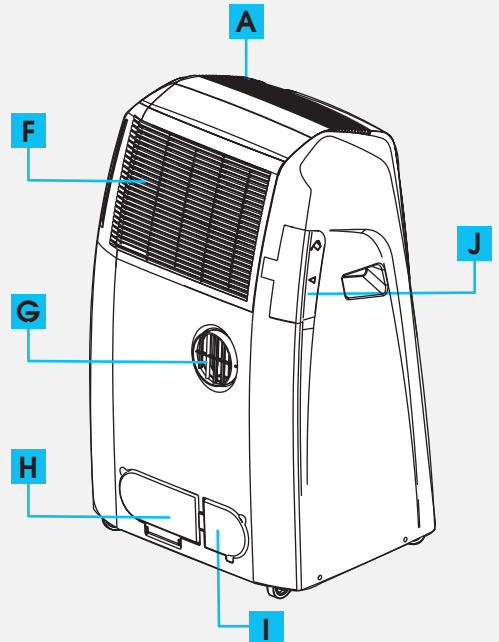
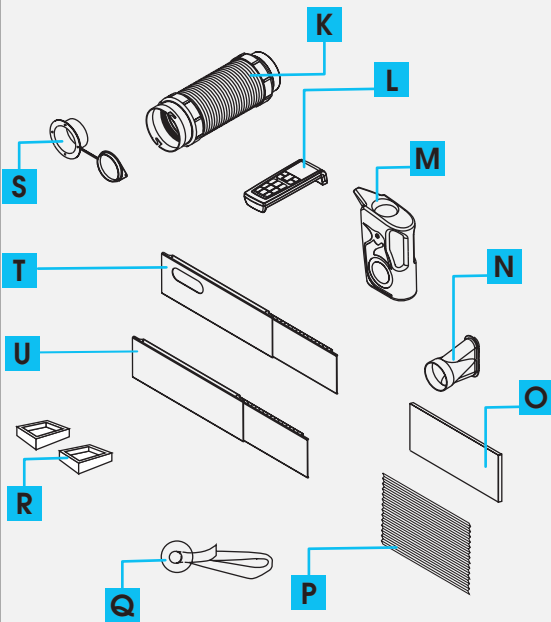
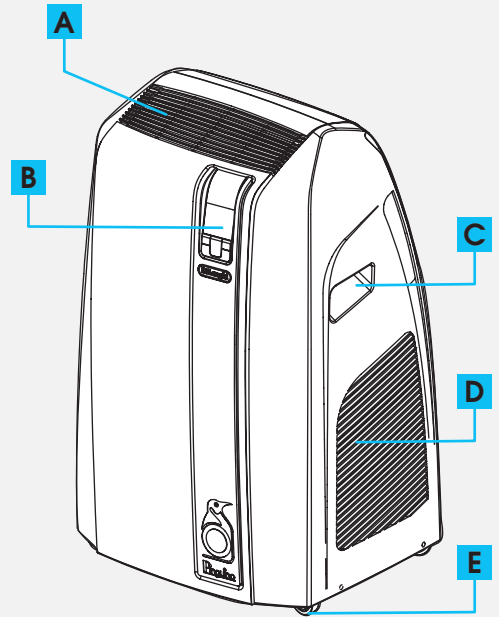
In exclusive De'Longhi **water-air models**, the heat is removed from the room through the cooling effect of the water which is obviously much greater than air.

This gives this air conditioner unbeatable cooling efficiency.



DESCRIPTION

- A** Air outlet grille
- B** Control panel with advanced LCD display
- C** Handle
- D** Grille
- E** Castors
- F** Air intake grille with dust filter
- G** Air exhaust hose housing
- H** Water drainage hose door
- I** Power cable compartment door
- J** Water fill door
- K** Air exhaust hose
- L** Remote control
- M** Water jug
- N** Window outlet
- O** Silver ion filter
- P** 3M filter
- Q** Suction pad with Velcro
- R** Castor locks
- S** Wall flange with cap
- T** Single hole window bracket with locking pins
- U** Window bracket extension



PREPARING FOR USE

The instructions below will enable you to prepare your air conditioner for operation as efficiently as possible.

Before use, make sure the air intake and outlet grilles are unobstructed.

AIR-CONDITIONING WITHOUT INSTALLATION

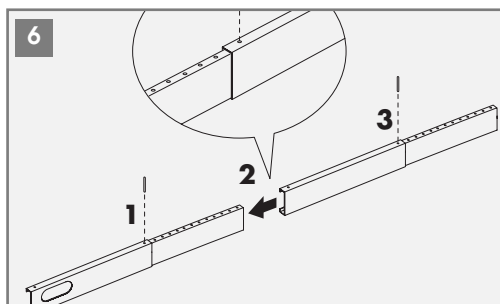
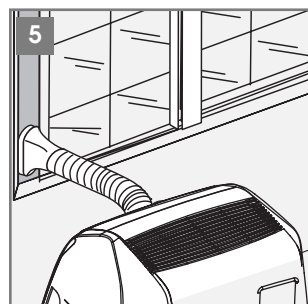
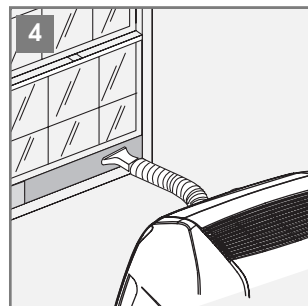
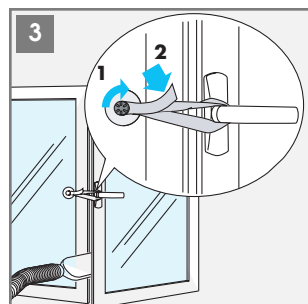
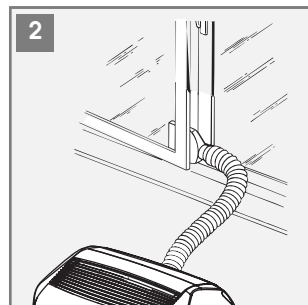
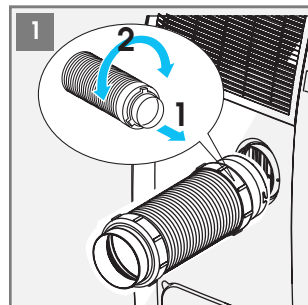
Just a few simple steps and your comfort is ensured with your appliance:

- Fit the air exhaust hose (K) in the housing (G) at the back of the appliance (fig. 1).
- Fit the window outlet (N) to the end of the hose.
- Place the air conditioner near a window or French window.
- Adjust the length of the air exhaust hose to reach the window.
- Make sure the air exhaust hose is unobstructed.
- Open the window or French window slightly and position the window outlet (fig. 2).
- If you have a double window, use the suction pad (Q) provided to hold the two parts of the window together (fig. 3).

For optimum results:

- If you have a sash window, place the window bracket (T) on the window sill, extend the window bracket fully within the window frame, fix the window bracket by using the locking pin then lower the window onto the window bracket. Insert the window outlet (N) of the exhaust hose (K) into the slot, then connect the hose to the air conditioner (fig. 4).
- Thanks to the locking pins, it's possible to use the window bracket also for sliding windows. Position the hole of the window bracket so to allow a correct installation of the exhaust hose (see figure 5).
- If the windows are large, use the window bracket extension (U) to cover your window aperture, extending it to the required length, then blocking it with the locking pins supplied (see figure 6). Make sure you do not cover the hole for the window outlet.

Keep the air hose as short and free of curves as possible to avoid bottlenecks.

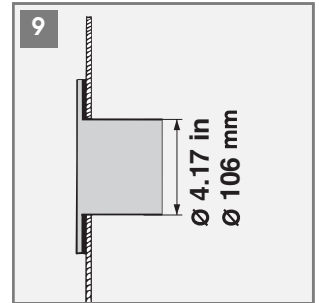
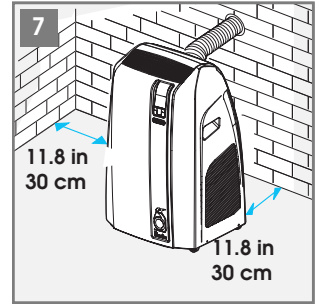
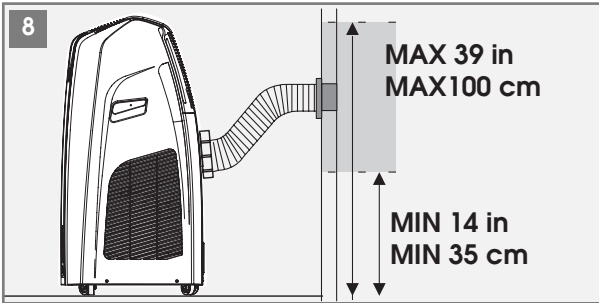


AIR-CONDITIONING WITH INSTALLATION

If required, your appliance can also be installed semi-permanently (Fig. 7).

Proceed as follows:

- Drill a 4.17 inch (106 mm) diameter hole respecting the heights shown in fig. 8 and following the indications in figs. 9, 10 and 11.

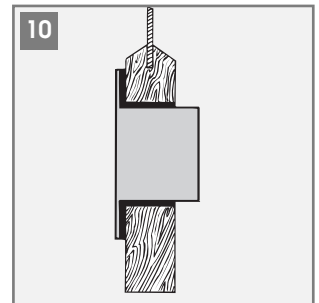


In the window pane.

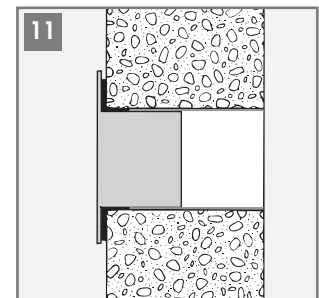
- Fit the wall flange (S) into the hole.
- Fit the air exhaust hose (K) in the housing at the back of the appliance (fig. 1).
- Fit the end of the air exhaust hose to the wall flange as shown in fig. 8. When the air exhaust hose is not fitted, the hole can be closed with the flange cap.

Keep the air hose as short and free of curves as possible to avoid bottlenecks.

✓ When installing the air conditioner semi-permanently, you should leave a door slightly open as little as 1/2" (1cm) to guarantee correct ventilation.



In the wooden kickboard of a French window.




In the wall: it is recommended that you insulate the section of the wall using suitable insulation.

PREPARING FOR OPERATION IN WATER MODE

Once the appliance has been installed following the instructions above, it is ready for use. However, its efficiency can be enhanced by operating it in the exclusive De'Longhi **water mode**. The water in the tank increases the cooling power of your Pinguino and at the same time reduces noise levels and electrical consumption. Compared to air, water reduces the temperature of the cooling circuit much more efficiently, before being given off from the air exhaust hose in the form of vapour.

Remember that:

- You must always use salt-free **tap water**.
- The length of time the water in the tank lasts depends greatly on environmental conditions such as temperature, humidity, insulation, the exposure of the room, the number of people present, etc. Indicatively it lasts about six hours. By using the WATERSAVE function (see page 13), the length of time can be extended to 10 hours, with a slightly lower cooling power and efficiency.
- When the water in the tank runs out, the  light comes on and operation of the appliance switches automatically to air to air operation. At the same time, the quantity of air given out from the rear hose increases.

FILLING THE TANK

You can fill the tank in one of two ways:

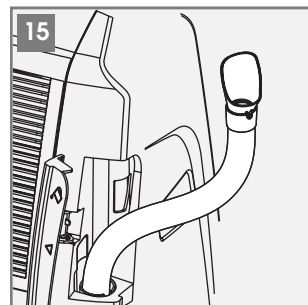
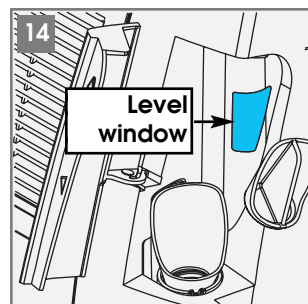
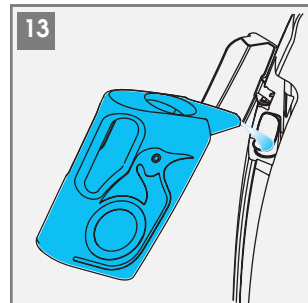
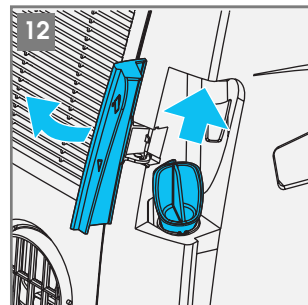
1) By using the water jug provided:

Use the water jug provided or any other plastic/glass bottle or watering can, providing the neck of the bottle or watering can is narrow enough to enter the filling hole to avoid spilling water on the appliance.

- Without using force, open the water fill door (J) completely, then remove the rubber cap (fig. 12).
- Pour the water into the tank (fig. 13). When the tank is full, the water level window (fig.14) becomes completely red. Indicatively, you will need to refill the jug three times to fill the tank completely.
- After filling, put the rubber cap back in place, then close the door.

2) Using the extendible hose:

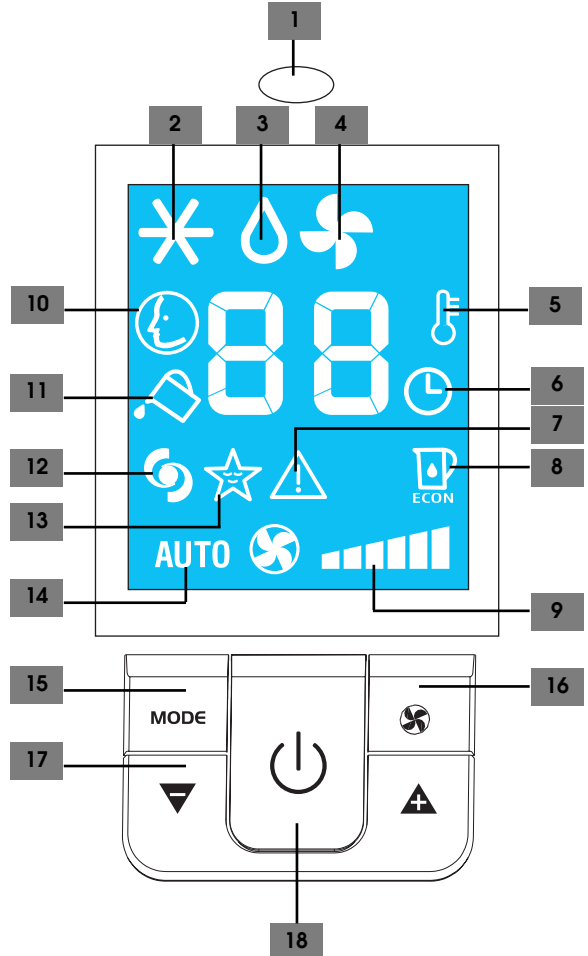
- Without using force, open the water fill door (J) completely, then remove the rubber cap (fig. 12). Pull out the extendible hose (fig. 15) and place near a tap.
- Fill the tank to the required level.
- When the tank is full, the water level window (fig. 14) becomes completely red.
- After filling, put the rubber cap back in place, then close the door.



- ✓ The tank does not have to be full to use the water function, but the length of time the appliance will operate in water mode will be shorter.
- ✓ When the level window has become completely red, do not add further water or it could overflow. **The tank has no overflow prevention system.**

DESCRIPTION OF THE CONTROL PANEL WITH LCD DISPLAY

- 1 Signal receiver
- 2 Air conditioning symbol
- 3 Dehumidifying symbol
- 4 Fan symbol
- 5 Temperature indicator
- 6 Timer symbol
- 7 Alarm symbol
- 8 WATERSAVE symbol
- 9 Speed indicator
- 10 SMART symbol
- 11 "No water" symbol
- 12 BOOST symbol
- 13 SLEEP symbol
- 14 AUTOFAN indicator
- 15 MODE button (selects the modes)
- 16 FAN button
- 17 Increase (+) and decrease (-) temperature button
- 18 ON/Standby button

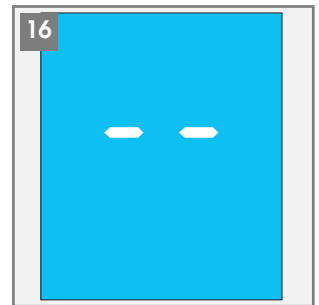


OPERATING FROM THE CONTROL PANEL

The control panel enables you to manage all the main functions of the appliance, but to fully exploit its potential, you must use the remote control unit.

TURNING THE APPLIANCE ON

- Plug the appliance into the socket.
Two lines appear on the display indicating that the appliance is in standby (fig. 16).
- Press the ON/STANDY-BY button (18) until the appliance comes on. The last function active when it was turned off will appear.



✓ Never turn the air conditioner off by unplugging from the electrical outlet. Always press the ON/STAND-BY button, then wait for a few minutes before unplugging. This allows the appliance to perform a cycle of checks to verify operation.

AIR CONDITIONING MODE (FIG. 17)

Ideal for hot muggy weather when you need to cool and dehumidify the room.

Always make sure the water fill door (J) is completely closed before setting this mode.

To set this mode correctly:

- Press the **MODE** button (15) a number of times until the air-conditioning symbol appears.
- Select the target temperature by pressing the ▲ or ▼ button (17) until the corresponding value is displayed.
- Select the required fan speed by pressing the **FAN** button (16). Four speeds are available:



Maximum speed: to achieve the target temperature as rapidly as possible.



Medium speed: reduces noise levels but still maintains a good level of comfort.



Low speed: for silent operation.



AUTOFAN: the appliance automatically selects the most suitable fan speed in relation to the temperature set on the digital display.

The most suitable temperature for the room during the summer varies from 75°F to 81°F (24 to 27°C). You are recommended, however, not to set a temperature much below the outdoor temperature.

DEHUMIDIFYING MODE (FIG. 18)

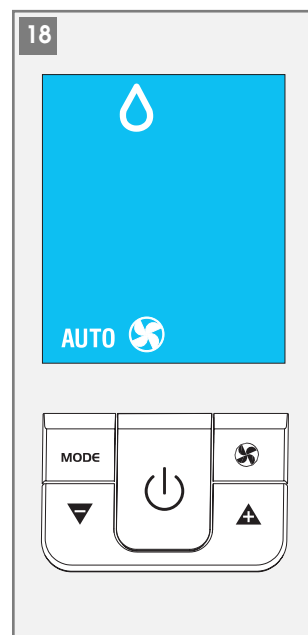
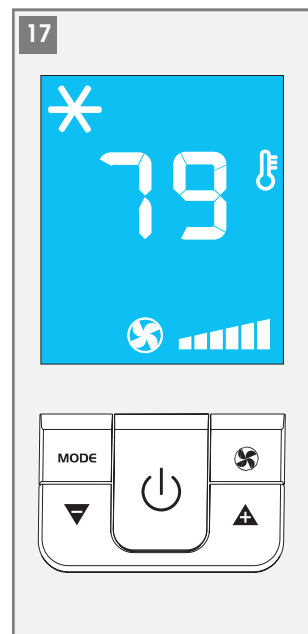
Ideal to reduce room humidity (during Spring and Autumn, in damp rooms, rainy periods, etc.).

In dehumidifying mode, the appliance should be prepared in the same way as for air conditioning, with the air exhaust hose attached to enable the moisture to be discharged outside.

To set this mode correctly:

- Press the **MODE** button (15) a number of times until the dehumidifying symbol appears.

In this mode, fan speed is selected automatically by the appliance and cannot be set manually.



FAN MODE (FIG. 19)

When using the appliance in this mode, the air hose does not need to be attached.

To set this mode correctly:

- Press the **MODE** button (15) a number of times until the fan symbol appears.
- Select the required fan speed by pressing the **FAN** button (16). Three speeds are available:



Maximum speed: for maximum fan power.

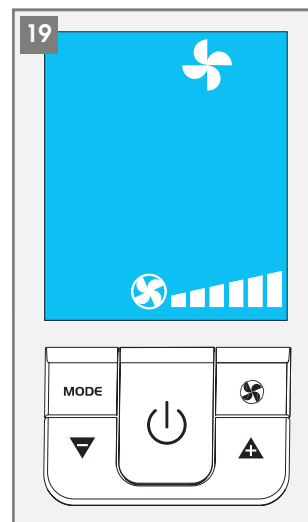


Medium speed: reduces noise levels but still maintains a good level of comfort.



Low speed: for silent operation.

In this mode, AUTO speed cannot be selected.



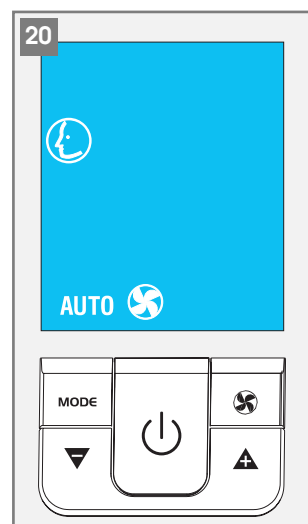
SMART MODE (FIG. 20)

The appliance chooses automatically whether to operate in air conditioning or fan mode.

Fan speed is also set automatically according to the conditions.

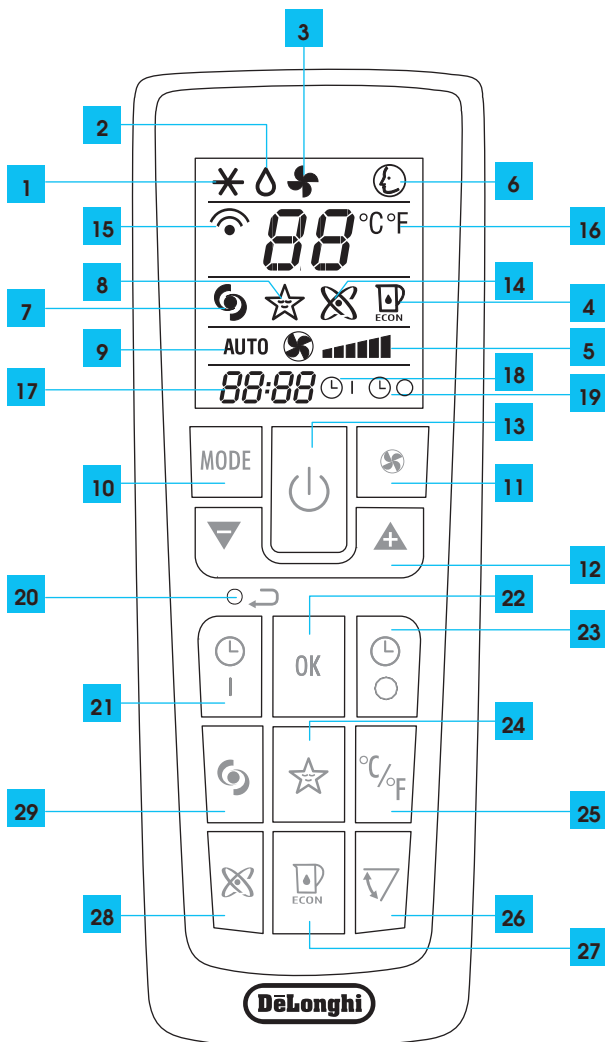
To set this mode:

- Press the **MODE** button (15) a number of times until the SMART symbol appears.



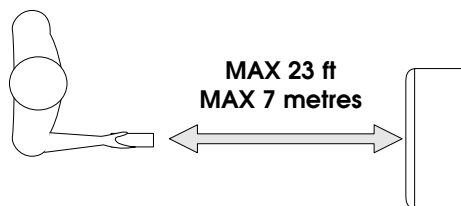
DESCRIPTION OF THE REMOTE CONTROL

- 1 Air conditioning symbol
- 2 Dehumidifying symbol
- 3 Fan symbol
- 4 WATERSAVE symbol
- 5 Fan speed indicator
- 6 SMART symbol
- 7 BOOST symbol
- 8 SLEEP symbol
- 9 AUTOFAN indicator
- 10 MODE button (selects the modes)
- 11 FAN button
- 12 Increase (+) and decrease (-) temperature button
- 13 ON/Standby button
- 14 Ionizer symbol
- 15 Signal transmission
- 16 Selected temperature scale indicator
- 17 Clock
- 18 Timer ON symbol
- 19 Timer OFF symbol
- 20 Reset button (resets the appliance to the original settings)
- 21 Timer ON button
- 22 OK button
- 23 Timer OFF button
- 24 SLEEP button
- 25 °C or °F selection button
- 26 Swing button (function not available in this model)
- 27 WATERSAVE button
- 28 Ionizer button
- 29 BOOST button



USING THE REMOTE CONTROL

- ✓ Point the remote control at the receiver on the appliance. The remote control must be no more than 23 ft. (7 metres) away from the appliance (without obstacles between the remote control and the receiver).
- ✓ The remote control must be handled with **extreme care**. Do not drop it or expose it to direct sunlight or sources of heat.



INSERTING OR REPLACING THE BATTERIES

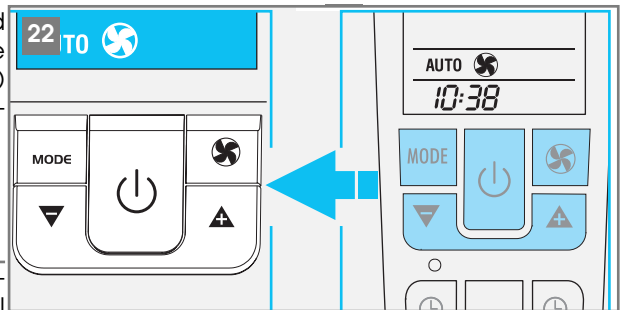
- Remove the back cover of the remote control (fig. 21);
 - Insert two R03 "AAA" 1.5V batteries, making sure they are in the correct position (see the instructions inside the battery compartment);
 - Replace the cover.
- ✓ If the remote control is replaced or discarded, the batteries must be removed and disposed of in accordance with current legislation as they are harmful to the environment.
- ✓ **Warning:** do not mix old and new batteries. Do not mix alkaline, standard (carbon-zinc) or rechargeable (nickel-cadmium) batteries. Do not dispose of batteries in fire. Batteries may explode or leak.
- If the remote control is not be used for a certain length of time, remove the batteries.



SETTING THE TIME

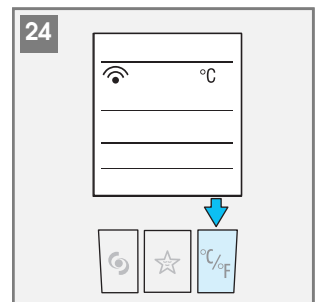
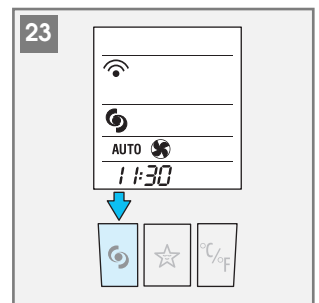
After having inserted the batteries, the clock on the display flashes until the time is set. Proceed as follows.

- Press the ▲ or ▼ button until the correct time is reached. Hold the button down to run rapidly through first the minutes, then the tens of minutes and then the hours.
- Once the correct time has been reached, release the button and press the OK button (23) to confirm.
- To cancel the settings programmed on the remote control and restore the original settings, press the RESET (20) button lightly with the point of a pencil or pen.

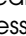


USING THE REMOTE CONTROL UNIT

The buttons below the remote control display are the same as those on the control panel of the appliance. You should, therefore, refer to the instructions in the section "Operating from the control panel" to turn the appliance on and select the operating mode (**AIR CONDITIONING, DEHUMIDIFYING, FAN,** or **SMART**) and the fan speed. The following section describes the additional functions corresponding to the controls on the bottom part of the remote control.

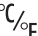


BOOST FUNCTION (FIG. 23)

Ideal for the summer to cool rooms rapidly. Activate by simply pressing the  button. The appliance operates in air conditioning mode at maximum fan speed. While this function is selected, it is not possible to set the temperature or change fan speed.



SELECTING THE TEMPERATURE SCALE (FIG. 24)

Press the  button to switch the displayed temperature scale from Celsius to Fahrenheit and vice-versa.



SLEEP FUNCTION (FIG. 25)

This function is ideal for the night as it gradually reduces operation of the appliance.

To set this function correctly:

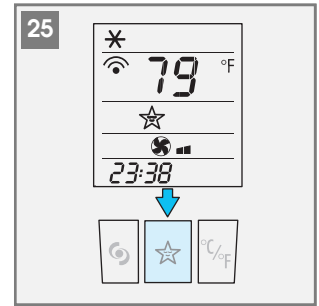
- Press the  button. The appliance operates in the previously selected mode with low fan speed.

The SLEEP function maintains the room at optimum temperature without excessive fluctuations in either temperature or humidity and with silent operation.

Fan speed is always at minimum, while room temperature and humidity vary gradually to ensure the most comfortable conditions.

During air conditioning, the temperature increases by 2°F (1°C) after 60 minutes and 4°F (2°C) after 2 hours.

In dehumidifying mode, the dehumidifying power of the appliance is partially reduced every hour for the first two hours.




WATERSAVE FUNCTION (FIG. 26)

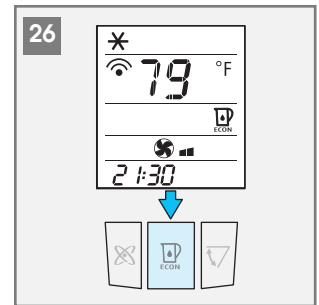
This function is designed to increase the operating time of the appliance when operating in water mode and can be activated in air conditioning and SMART mode.

When the button is pressed, the appliance is slightly less efficient, but consumption of water in the tank is considerably reduced.

With a full tank, the appliance normally operates for six hours.

With this function activated, the operating time increases to 10 hours avoiding the need to refill the water tank frequently.

If the water runs out when this function is active, the quantity of air given out from the rear hose increases and the  light comes on. To restore operation in water mode, fill the tank.









SWING FUNCTION

Not available in these models.


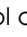




PROGRAMMING THE TIMER

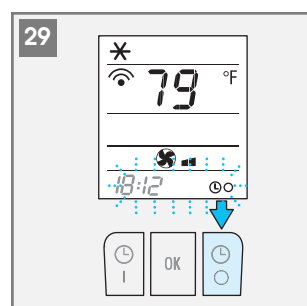
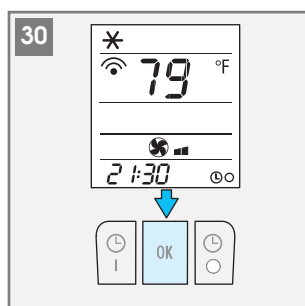
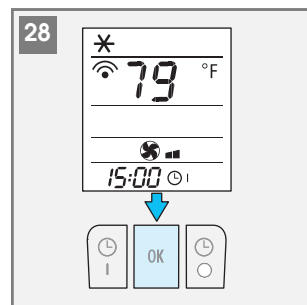
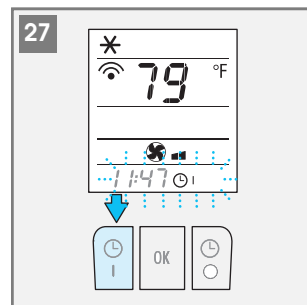
The appliance can be programmed to start up and shut down when required.

Programming start up

- Press the  button. The start-up time and message  flash on the remote control display (fig. 27).
- Press the  or  buttons to set the time you want the appliance to start up.
- When that time is reached, press the **OK** button to confirm (fig. 28). The message  appears on the remote control display and the  symbol is displayed on the appliance to indicate that the timer is active.






Programming shutdown

- Press the  **OFF** button. The shutdown time and message  flash on the remote control display (fig. 29).
- Press the  or  buttons to set the time you want the appliance to shut down.
- When that time is reached, press the **OK** button to confirm (fig. 30). The message  appears on the remote control display and the  symbol is displayed on the appliance to indicate that the timer is active.



SELF-DIAGNOSIS

The appliance has a self diagnosis system to identify a number of malfunctions. Error messages are indicated on the control panel display screen.

IF...IS DISPLAYED,	WHAT SHOULD I DO?	IF...IS DISPLAYED,	WHAT SHOULD I DO?
 LOW TEMPERATURE (frost prevention)	The appliance is fitted with a frost protection device to avoid excessive formation of ice. The appliance starts up again automatically when the defrosting process is completed.	 HIGH LEVEL (safety tank full)	Empty the internal safety tank, following the instructions in the "End of season operations" section (pg. 17). If this reoccurs, contact your local authorized service center.
 PROBE FAILURE (sensor damaged)	If this is displayed, contact your local authorized service center.	 CLEAN	This message appears after about 500 hours of operation in water mode and indicates that the appliance requires descaling as described in the "descaling" section (pg. 17). After descaling or if the alarm reappears too soon after the last descaling (carried out before the message is displayed), reset the alarm by holding the  button down for 10 seconds.

TIPS FOR CORRECT USE

To get the best from your air conditioner, follow these recommendations:

- Close the windows and doors in the room to be air conditioned (fig. 31).
When installing the air conditioner semi-permanently, you should leave a door slightly open (as little as 1/2 ") to guarantee correct ventilation.
- Protect the room from direct exposure to the sun by partially closing curtains and/or blinds to make the appliance much more economical to run (fig. 32);
- Never rest objects of any kind on the air conditioner;
- Do not obstruct the air intake and outlet (fig. 33). Leave both grilles free;
- Make sure there are no heat sources in the room.
- Never use the appliance in very damp (laundry rooms for example).
- Never use the appliance outdoors.
- Make sure the air conditioner is standing on a level surface. If necessary, place the castor locks (R) under the wheels.

AIR PURIFYING FILTERS

The appliance is fitted with a dust filter which retains impurities in the air drawn in from the room.

Certain models also include other filters with a high filtering capacity, namely a silver ion filter and a 3M® electrostatic filter.

SILVER ION FILTER

The silver ion filter not just retains dust particles, but also has an efficient antibacterial action. It also greatly reduces concentrations of irritants such as pollen and spores.

The filter is treated with small particles of silver (on the scale of millionths of a millimeter) which are able to block the multiplication of and kill any nearby bacteria or spores.

3M® ELECTROSTATIC FILTER

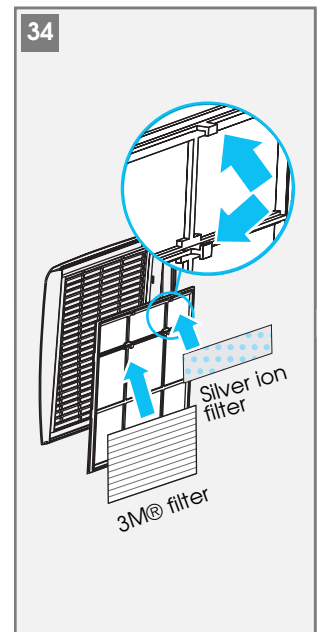
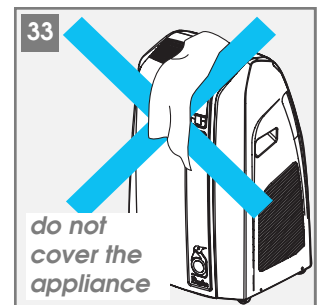
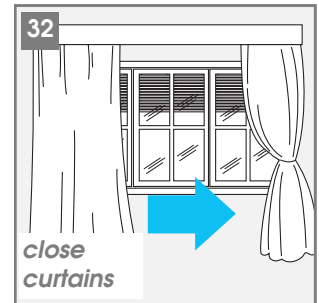
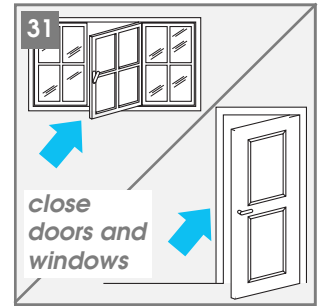
The 3M® electrostatic filter retains the finest dust particles, thus enhancing the filtering capacity of the appliance.

FITTING THE FILTERS TO THE GRILLE

The appliance can be used with just the dust filter already inserted in the grille.

To use the two supplementary filters (if provided with your model), remove them from the packaging and attach them to the dust filter, inserting them under the special clips (fig. 34).

If you decide not to use them, keep them sealed in the packaging.



CLEANING

Before cleaning or maintenance, turn the appliance off by pressing the ON/Standby button on the control panel or remote control, wait for a few minutes then unplug from the socket.

CLEANING THE CABINET

You should clean the appliance with a slightly damp cloth then dry with a dry cloth.

- ✓ Never wash the air conditioner with water. It could be dangerous.
- ✓ Never use petrol, alcohol or solvents to clean the appliance. Never spray insecticide liquids or similar.

CLEANING THE AIR FILTERS

To keep your air conditioner working efficiently, you should clean the dust filters every week of operation.

Dust filter supplied with all models

The filter is housed in the intake grille.

To clean the filters, proceed as follows:

- Remove the intake grille by pulling it outwards (fig. 35).
- Remove the dust filter by detaching it from the grille (Fig. 36).
- Use a vacuum cleaner to remove the dust collected on the filter. If it is very dirty, immerse in warm water and rinse a number of times. The water should never be hotter than 101°F (40°C).
- After washing, leave the filter to dry completely.
- To replace, put the filters back in the intake grille then attach the intake grille to the appliance.

Silver ion filter and 3M® electrostatic filter (certain models only)

These two filters are located behind the dust filter.

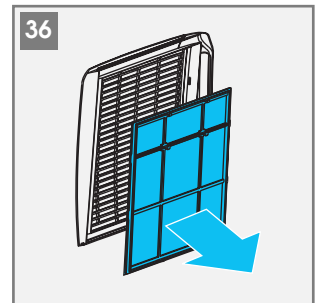
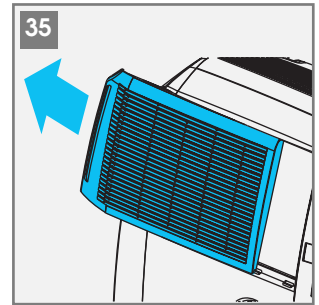
To clean the dust filter, the two supplementary filters must be temporarily removed.

To clean, use a vacuum cleaner at medium power.

The silver ion filter **can be washed** with cold water. Leave to dry completely and replace. It should be replaced at least once every two seasons.

The 3M® filter **is not washable** and must be replaced at the end of the season or when it is exhausted and no longer efficient.


- ✓ The silver ion filter and 3M® filter can be bought from shops selling De'Longhi accessories or authorized service centers.






RECOMMENDED END OF SEASON OPERATIONS

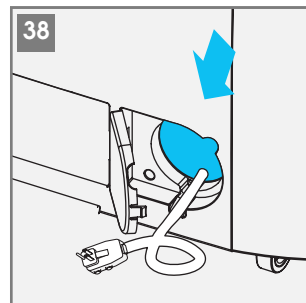
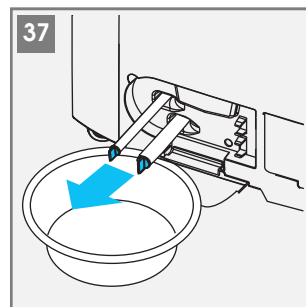
- Descale as described in the following section.
- Empty the water from the tank and internal circuit by extracting and opening the two hoses inside the water drainage hose door (H) (fig.37).
- Operate the appliance with the water tank empty in fan only mode for about half an hour. This dries any water remaining inside the appliance.
- Turn the appliance off and unplug from the electrical socket.
- Remove the air exhaust hose.
- Clean the dust filters and (in certain models) the air purifying filters.
- Place the power cable in the special rear power cable compartment (I) (fig.38).
- Cover the appliance to avoid dust.

DESCALING

When using the appliance in water mode, lime scale will inevitably form and must be removed to maintain efficiency. After about 500 hours of operation, the appliance therefore warns that descaling is required by displaying the message  **CL (CLEAN)**.


Descal the appliance.

- Turn off the appliance and unplug from the socket. Empty all water from the inside of the appliance through the drain hoses (fig. 37).
- Close and replace the drain hoses. Pour 0.5 Liters of descaler (one bottle) and 1.5 Liters of clean water into the tank.
- Plug in and operate the appliance in air conditioning mode with the BOOST function selected until the  "no water" symbol appears on the display.
- Turn off the appliance and unplug from the socket. Empty all water from the inside of the appliance through the drain hoses.
- Close and replace the drain hoses. Pour 2 Liters of clean water into the tank to rinse the internal circuits of dirt and descaler.
- Plug in and operate the appliance until the  "no water" symbol appears on the display.
- Turn off the appliance and unplug from the socket. Empty all rinsing water from the inside of the appliance through the drain hoses.
- If the water drained off is very dirty or contains large quantities of foam, repeat the rinsing operation.
- Close the drain hoses and replace.
- After descaling, reset the alarm by pressing the  button for 10 seconds.



✓ The descaler can be bought from your local De'Longhi service center. **Always use original descaler. Use of other products could damage internal components and invalidate the guarantee.**

TROUBLESHOOTING

PROBLEM	CAUSE	SOLUTION
The air conditioner does not come on	<ul style="list-style-type: none"> • No electricity • It is not plugged into the socket • The internal safety device has tripped • The safety device of the plug has tripped 	<ul style="list-style-type: none"> • Restore electricity • Plug into the socket • Wait 30 minutes, if the problem persists, contact your service center • Reset the safety plug
The air conditioner works for a short time only	<ul style="list-style-type: none"> • There are bends or kinks in the air exhaust hose • Something is preventing the air from being discharged 	<ul style="list-style-type: none"> • Position the air hose correctly, keeping it as short and free of curves as possible to avoid bottlenecks • Check and remove any obstacles obstructing air discharge
The air conditioner works, but does not cool the room	<ul style="list-style-type: none"> • Windows, doors and/or and/or curtains are open • There are heat sources in the room (oven, hairdryer, etc.) • The air exhaust hose is detached from the appliance • Dust filter and (when present) silver ion filter and 3M® filter clogged • The technical specification of the appliance is not adequate for the room in which it is located 	<ul style="list-style-type: none"> • Close doors, windows and curtains, bearing in mind the "tips for correct use" stated on pg. 15 • Eliminate the heat sources • Fit the air exhaust hose in the housing at the back of the appliance (fig. 1) • Clean the filters as described in the "Cleaning" section (pg. 16)
During operation, there is an unpleasant smell in the room	<ul style="list-style-type: none"> • Dust filter and (when present) silver ion filter and 3M® filter clogged 	<ul style="list-style-type: none"> • Clean the filters as described in the "Cleaning" section (pg. 16)
The air conditioner does not operate for about three minutes after restarting it	<ul style="list-style-type: none"> • The internal compressor safety device prevents the appliance from being restarted until three minutes have elapsed since it was last turned off 	<ul style="list-style-type: none"> • Wait. This delay is part of normal operation
The symbol  and one of the following messages appears on the appliance display: LT / PF / HL / CL	<ul style="list-style-type: none"> • The appliance has a self diagnosis system to identify a number of malfunctions 	<ul style="list-style-type: none"> • See the SELF-DIAGNOSIS section (pg. 14)

TECHNICAL CHARACTERISTICS:

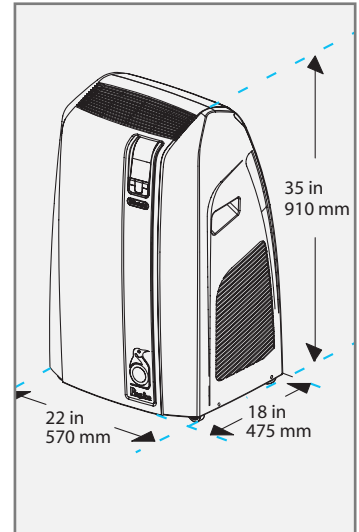
Power supply voltage	see rating plate
Max. power input during air conditioning	"
Absorbed power heating (certain models only)	"
Refrigerant	"
Cooling capacity	"

LIMIT CONDITIONS

Room temperature for air conditioning	70÷95°F 21÷35°C
Room temperature for heating (certain models only)	MAX 77°F (MAX 25°C)

APPLIANCE DIMENSIONS:

• width	22 in	570 mm
• height	35 in	910 mm
• depth	18 in	465 mm
• weight	112 lb	51 kg



Transport, filling, cleaning, recovery and disposal of refrigerant should be performed by a technical service center appointed by the manufacturer only.
The appliance should be disposed of by a specialist center appointed by the manufacturer only.

NEVER TURN THE APPLIANCE UPSIDE DOWN OR ON ITS SIDE. IF THIS OCCURS, WAIT AT LEAST 4 HOURS BEFORE TURNING THE APPLIANCE ON (RECOMMENDED TIME IS 24 HOURS).

This appliance is equipped with a 3 prong grounding plug. The plug must be connected into an outlet that is properly installed and grounded in the accordance with all local codes and ordinances. Do not modify the plug provided with the appliance. If it will not fit the outlet, have a proper outlet installed by a qualified electrician.

If the household electrical supply does not meet the above specifications, or if you are not sure your home has an effective ground, have a qualified electrician or your local electrical utility company check it and correct any problems.

SAFETY PLUG

The appliance is fitted with a safety plug to protect the power cable.

If power is cut off, unplug from the socket and make sure the power cable is undamaged.

If the cable is damaged, call the service center immediately.

If power cuts off frequently and the power cable is undamaged, contact a qualified electrician.

OPERATION OF THE SAFETY PLUG

If the safety device incorporated in the plug trips and cuts off the power supply, check that the power cable and plug are not damaged.

If the power cable is undamaged, to restore operation press the "RESET" button.

To verify correct operation of the plug, press the "TEST" button periodically and make sure the appliance disconnects. If this is not the case, contact the service center.

To restore operation, press the "RESET" button.

LIMITED WARRANTY:

De'Longhi is the distributor of Kenwood home appliances.
This warranty applies to all home appliances with De'Longhi or Kenwood brand names.

FOR CONTIGUOUS UNITED STATES ONLY

Limited Warranty

We warrant each De'Longhi AIR CONDITIONER to be free from defects in material and workmanship. From the purchase date, our obligation under this warranty is to provide one (1) year free parts and labor on the entire AIR CONDITIONER, with an additional four (4) years free on any part of the sealed system consisting of the compressor, evaporator, condenser and factory connected refrigerant tubing. Labor and all other parts during the additional four (4) year warranty are to be paid by the owner. All AIR CONDITIONERS in need of repair are to be shipped to an authorized De'Longhi service center at the owner's expense, and De'Longhi will then incur the return shipping costs. After the first five (5) years of ownership, all expenses (all parts, labor and shipping) are to be paid by the owner of the unit. This warranty shall apply only if the AIR CONDITIONER is used in accordance with the factory directions that accompany it, and on an Alternating Current (AC) circuit. This warranty is in lieu of all other warranties and representations, expressed or implied, and all other obligations or liabilities on our part. We do not authorize any other person or company to assume for us any liability in connection with the sale or use of our AIR CONDITIONER. This warranty shall not apply to any AIR CONDITIONER that has been repaired or altered outside our factory nor shall it apply to any AIR CONDITIONER that has been subjected to misuse, negligence or accidents.

If repairs become necessary, see contact information below:

U.S. Residents:

Please contact our toll free hotline at 1-800-322-3848 or log onto our website at www.delonghi.com.

For all accessories, spare parts or replacement parts, please contact our parts division at 1-800-865-6330.

CANADA Residents:

Please contact our toll free hotline at 1-888-335-6644 or log onto our website at www.delonghi.com.

Other countries:

Please visit: www.delonghi.com.